

Spare Parts Catalogue

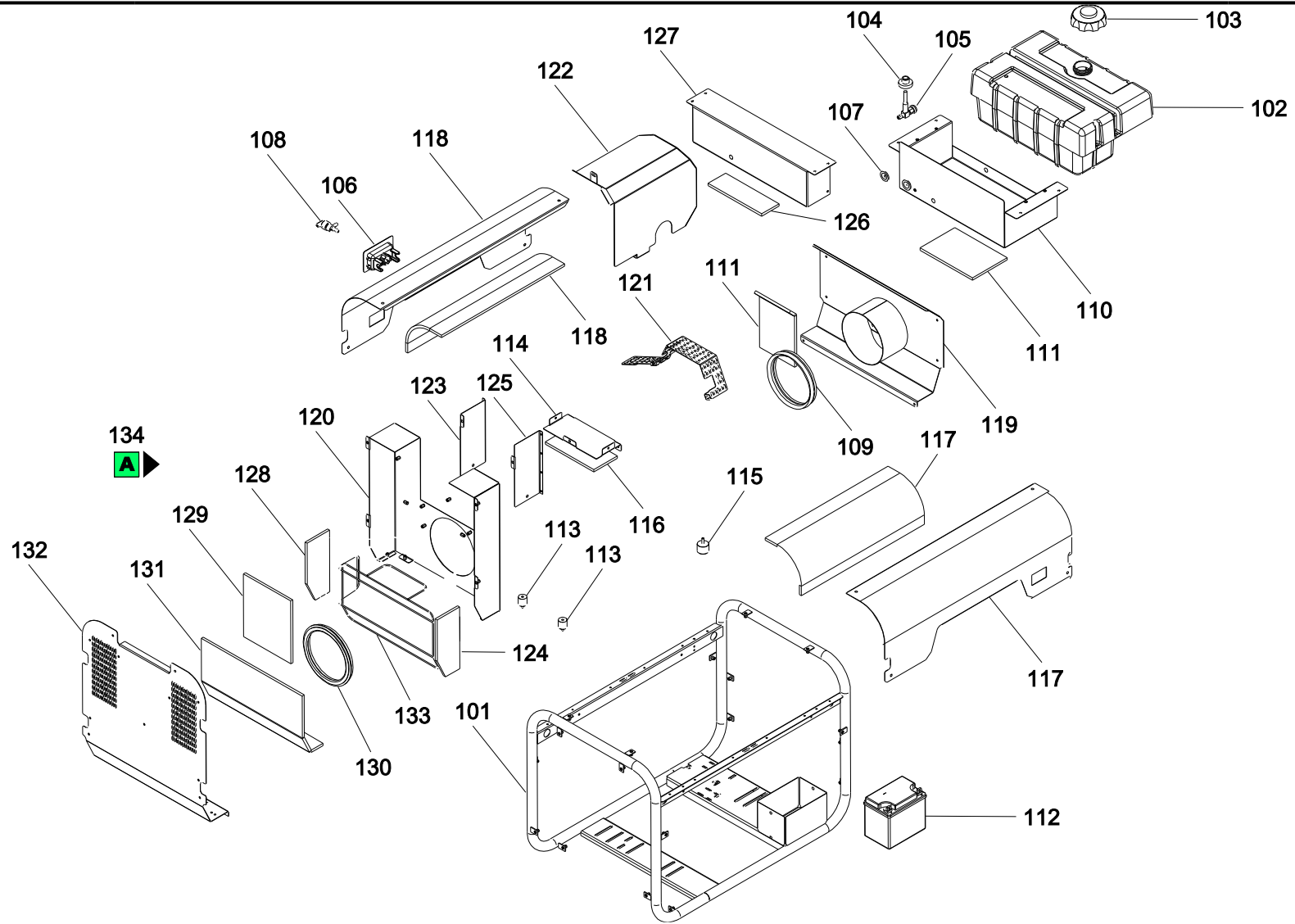
S12000-2010-THREEPHASE+AVR+CONN+DPP

Generating sets

Valid for machine code: PD123THBZ0H
Revision: 0 (10/2013)

S12000-2010-THREEPHASE+AVR+CONN+DPP - Machine code:
PD123THBZ0H

Spare Parts Catalogue S12000-2010-THREEPHASE+AVR+CONN+DPP
- Revision: 0 (10/2013)

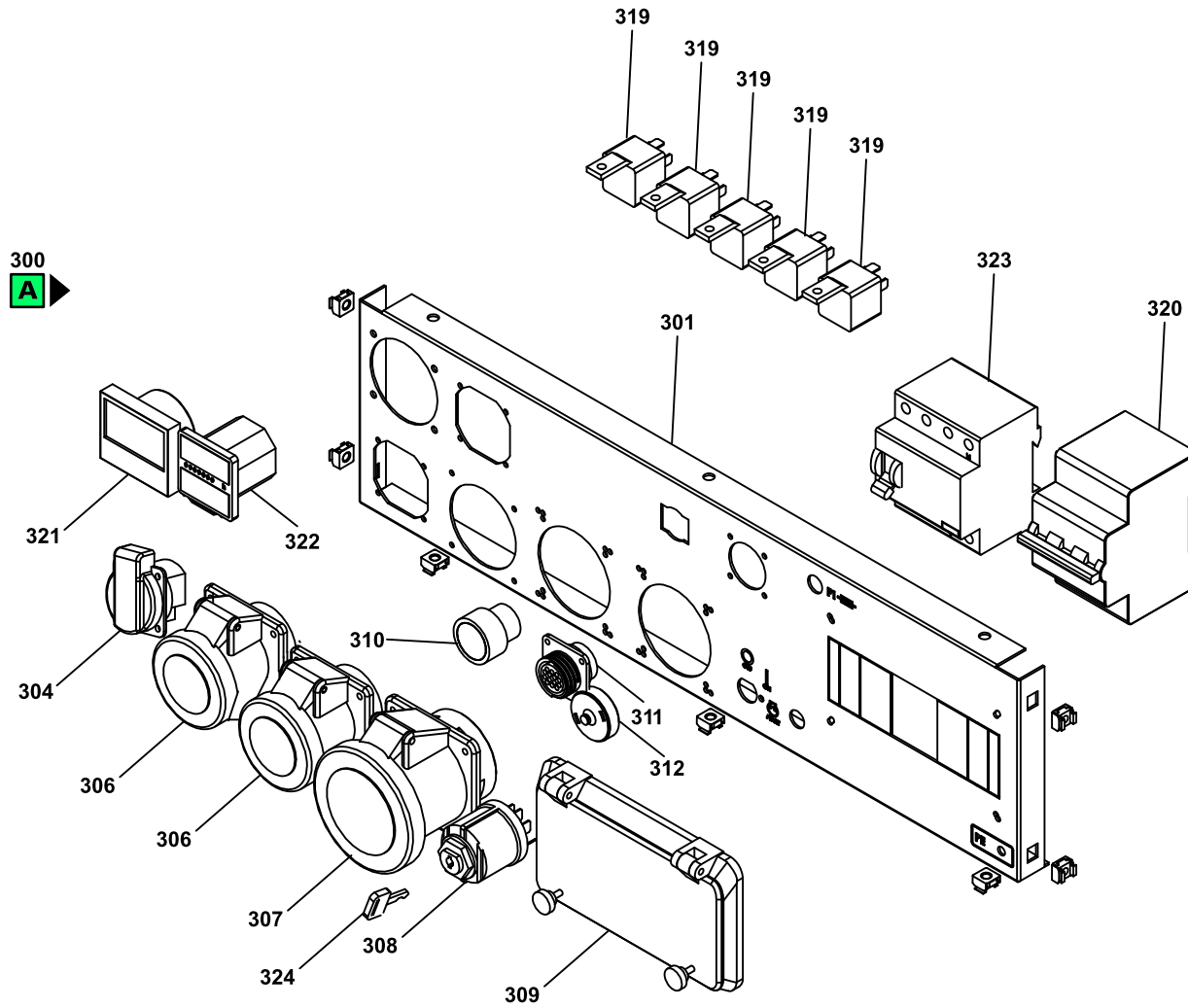




POSITION	PART NUMBER	DESCRIPTION	NOTES
101	▲ VA40002027-9005B	FRAME PAINTED S12000 WITH GX630	Attention: this item is valid for machines produced until 09/02/2012 Interchangeable: YES
101	▲ VA40002029-9005B	COMPLETE FRAME S-SP12000	Attention: this item is valid for machines produced from 09/02/2012 Interchangeable: YES
102	SA10002904	FUEL TANK PETROL/DIESEL 24 LITERS	
103	G080215	FUEL CAP WITHOUT KEY - VENT HOLES ON TOP	
104	G084801	GROMMET VALVE #10672	
105	G085100	NEEDLE VALVE BUSHED - REF.11478	
106	SA40016960	INSERT FUEL VALVE HOLDER	
107	G070208	WIRE BUSH OPEN 3932-36-A	
108	G085104	QUARTER TURN FUEL VALVE	
109	G091203	STRAIGHT ARMOURED RUBBER EDGE	
110	▲ VA9329-9005	PROTEZIONE SERBATOIO S12000*HEPI VERNICIATO	Attention: this item is valid for machines produced until 11/12/2013 Interchangeable: NO
110	▲ VM5F000001-9005B	SUPPORT TANK S12000 PAINTED RAL 9005B	Attention: this item is valid for machines produced from 11/12/2013 Interchangeable: NO
111	SA40002904	TERMOISOLANTE PROTEZIONE SERBATOIO S12000*HEPI	
112	G089001	BATTERY 26Ah 12V SEALED - 205x132x185.5	
113	G052112	CYLINDRIC SILENT-BLOCK MF-30x30-M8x15-M8-60	
114	VA9523-9005	DESCRIPTION N/A	
115	G052183	SILENT-BLOCK CIL. MF-40x30-M8x23-M8-45	
116	SA40002910	S12000 INSIDE/OUTSIDE SOUNDPROOF	
117	SM5Z003170	S12000 LATERAL PANEL RAL PRAMACB	
118	SM5Z003172	PANEL LATERAL CON ANCLAJE PARA GRIFO S12000 FORRADO RAL PRAMACB	
119	▲ VA9694-9005B	DUCT ALTERNATOR PAINTED S12000 WITH GX630	Attention: this item is valid for machines produced until 19/11/2013 Interchangeable: NO
119	▲ VM5S000001-9005B	S12000 ALT. SEP. PAINTED RAL 9005B	Attention: this item is valid for machines produced from 19/11/2013 Interchangeable: NO
120	▲ VA40002704-9005	COMPLETE ENGINE AIR DUCT S12000 PAINTED	Attention: this item is valid for machines produced until 19/11/2013 Interchangeable: NO
120	▲ VM5S000002-9005B	SEPARADOR MOTOR PINTADO RAL 9005B	Attention: this item is valid for machines produced from 19/11/2013 Interchangeable: NO
121	VA9693-9005B	PROTECTION PAINTED MANIFOLDS S12000 WITH GX630	
122	▲ VA40002009-9005	SCHERMATURA MARMITTA VERNICIATA S12000*HEPI	Attention: this item is valid for machines produced until 09/02/2012 Interchangeable: NO
122	▲ VA40003012-9005	DESCRIPTION N/A	Attention: this item is valid for machines produced from 09/02/2012 Interchangeable: NO
123	GM2107	PIEZA 3 SEPARADOR MOTOR PLEGADO	
124	SA40002908	S12000 LEFT LATERAL SOUNDPROOF	

POSITION	PART NUMBER	DESCRIPTION	NOTES
125	GM2106	PIEZA 2 SEPARADOR MOTOR PLEGADO	
126	SA40002905	TERMOISOLANTE PROTEZIONE QUADRO S12000*HEPI	
127	▲ VA9328-9005	PROTEZIONE QUADRO S12000*HEPI VERNICIATO	Attention: this item is valid for machines produced until 11/12/2013 Interchangeable: NO
127	▲ VM5H400009-9005B	SUPPORT CONTROL PANEL SERIE S PAINTED RAL 9005B	Attention: this item is valid for machines produced from 11/12/2013 Interchangeable: NO
128	SA40002909	S12000 RIGHT LATERAL SOUNDPROOF	
129	SA40002911	S12000 OUTSIDE FRONTAL ENGINE SOUNDPROOF	
130	G091201	ARMoured RUBBER EDGE A 90	
131	SA40002912	S12000 INSIDE FRONTAL FAN SOUNDPROOF	
132	VA9524-9005	DESCRIPTION N/A	
133	ZA9647	GALVANIZED LOCKING FRAME FOR NOISE INSULATION FOAM S12000	
134	SM5Z003180	FONDO MOTOR S12000 FORRADO RAL 9005B	

S12000-2010-THREEPHASE+AVR+CONN+DPP - Machine code:
PD123THBZ0H

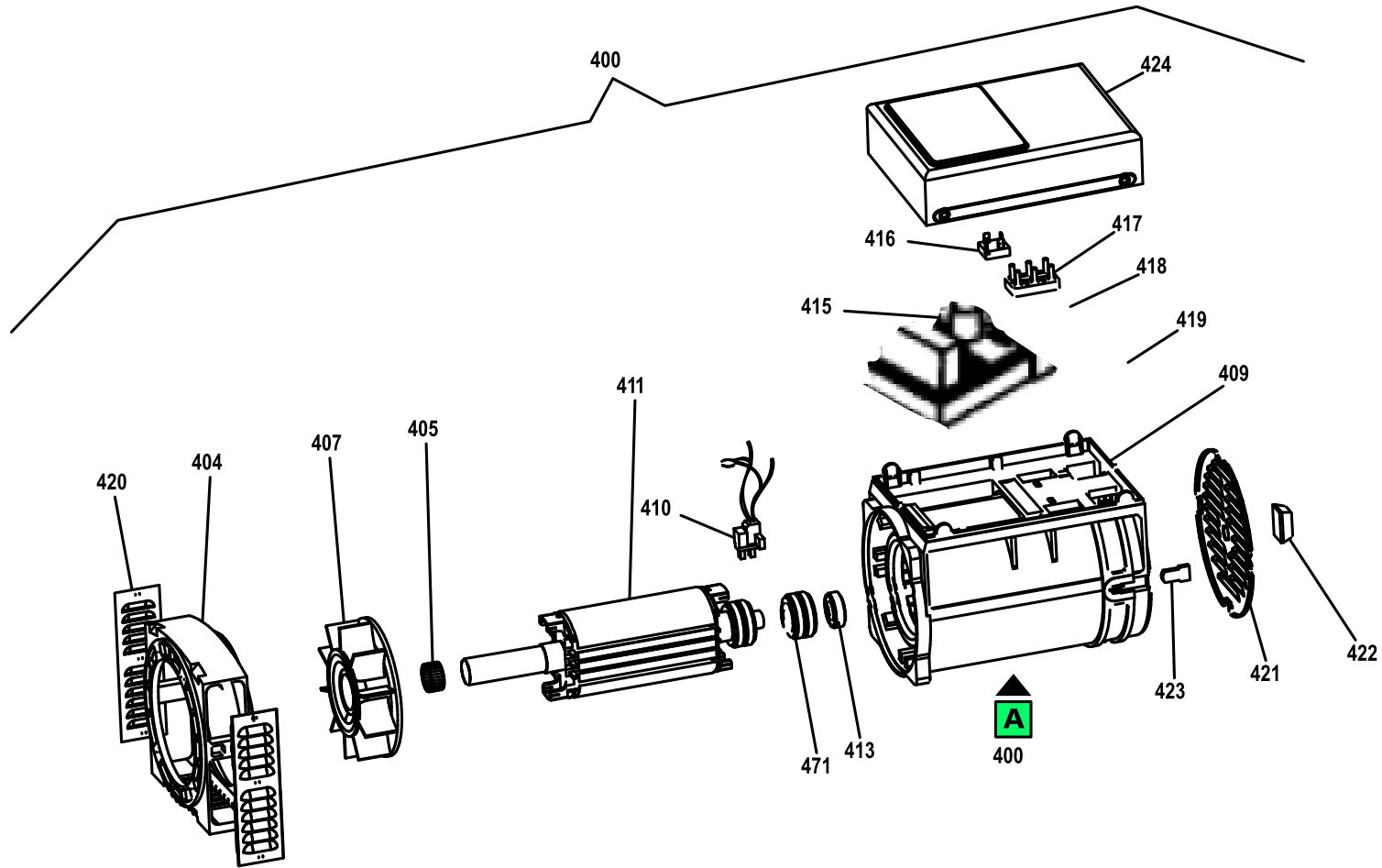
Spare Parts Catalogue S12000-2010-THREEPHASE+AVR+CONN+DPP
- Revision: 0 (10/2013)



POSITION	PART NUMBER	DESCRIPTION	NOTES
300	SA40003028	EL. PANEL S12000 THREEPHASE + CONN + DPP	
301	GA9700	SHEETMETAL PANEL S12000 OPTIONAL + CONN	
304	G071131	SOCKET SUBASSEMBLY, POWER SUPPLY	
306	G071121	PANEL MOUNT SOCKET 2P+T 230V 16A IP44 CEE	
307	G071126	PANEL MOUNT SOCKET 3P+N+T 400V 16A IP44 CEE	
308	G075310	STARTER KEY SWITCH	
309	G070312	IP55 COVER 8 MODULES DIN	
310	G075171	BLACK PUSH BUTTON NOT ILLUMINATED FOR 22 HOLE WITH LOCK NUT	
311	G071021	FEMALE CONNECTOR 14CONTACTS COM. DIST.	
312	G071091	SEALING CAP WITH BEAD CHAIN - 14 POLES CONNECTOR	
319	G079583	RELE' 12V 1 30/20A 12.040.000	
320	G075508	MAGNETOTHERMIC SWITCH 3P 16A 4.5KA	
321	 G079833	VOLTMETER 0-300V D.56	Attention: this item is valid for machines produced until 16/12/2015 Interchangeable: YES
321	 G079025	VOLTMETER 0-500V D56	Attention: this item is valid for machines produced from 16/12/2015 Interchangeable: YES
322	G079033	PANEL MOUNT HOUR METER (230V)	
323	G075512	DIFFERENTIAL SWITCH 4P 25A 0.03A	
324	G76926	KEY BLOCK BODY FOR STARTER SWITCH	

S12000-2010-THREEPHASE+AVR+CONN+DPP - Machine code:
PD123THBZ0H

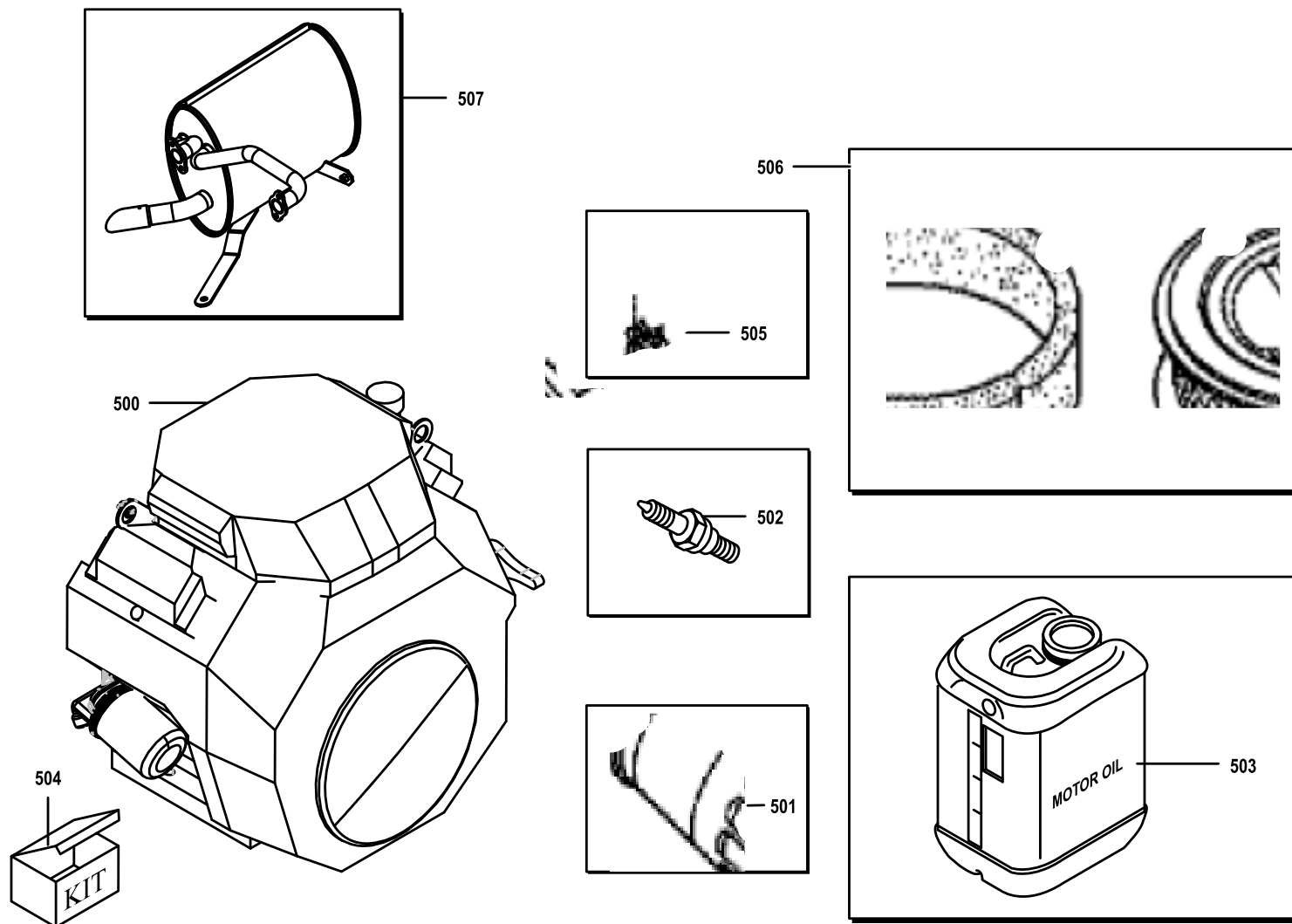
Spare Parts Catalogue S12000-2010-THREEPHASE+AVR+CONN+DPP
- Revision: 0 (10/2013)



POSITION	PART NUMBER	DESCRIPTION	NOTES
400	AMT11500EB0000Z	ALTERNATOR ET20FS 160/A 11,5/230/400/50/3000 J609b - BLIND COVER +OPTIONAL VANGUARD - MECC-ALTE	
405	G70693	COMPENSATOR RING (MOD. BN 35X23)	
407	PAM00060	FAN TR2	
410	PAM00043	BRUSHES	
413	PAM0390302511	REAR BEARING	
415	PAM00041	ASR GOVERNOR	
417	PAM00074	TERMINAL BLOCK	
421	PAM0390700011	MR2 GRID PLATE	
422	PAM00073	PLASTIC PLUG	
424	PAM0390501015	COVER GEN HEAD MECC ALTE S20F	
471	PAM00051	SLIP RING 50x28x8	

S12000-2010-THREEPHASE+AVR+CONN+DPP - Machine code:
PD123THBZ0H

Spare Parts Catalogue S12000-2010-THREEPHASE+AVR+CONN+DPP
- Revision: 0 (10/2013)



POSITION	PART NUMBER	DESCRIPTION	NOTES
500	EHA208CB05Z	Engine Honda GX630RH VXP2 SD Air_3000_Mech_J609b-_12Vdc__Ver/Sp:	
501	PEH15400-RBA-F01	Substitute with PEH15400-PLM-A02PE	
502	PEH98079-5587G	SPARK	
503	P3KI00299	Kit Pramac Power	
504	P3KI00142	KIT S12000-SP12000-P12000 GX630	
505	PEH16910-Z6L-003	FUEL FILTER	
506	PEH17210-Z6L-010	FILTER AIR	
507	▲ SA40002914	MUFFLER HONDA GX630 FOR S12000	Attention: this item is valid for machines produced until 25/08/2014 Interchangeable: YES
507	▲ SA40002918	MUFFLER HONDA GX630 FOR S12000 - MTS	Attention: this item is valid for machines produced from 25/08/2014 Interchangeable: YES