

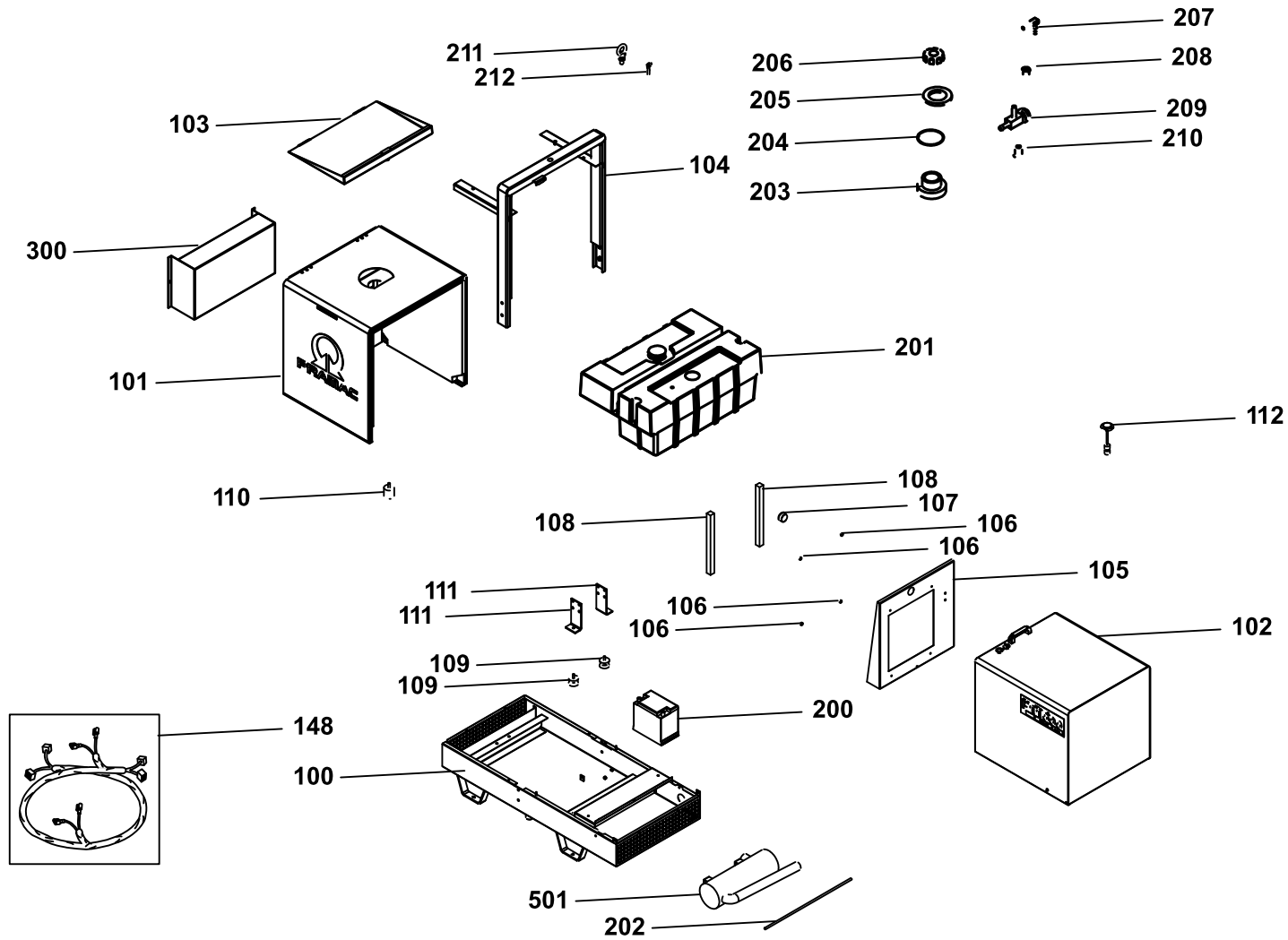
Spare Parts Catalogue



P11000-2006-TRIPHASE

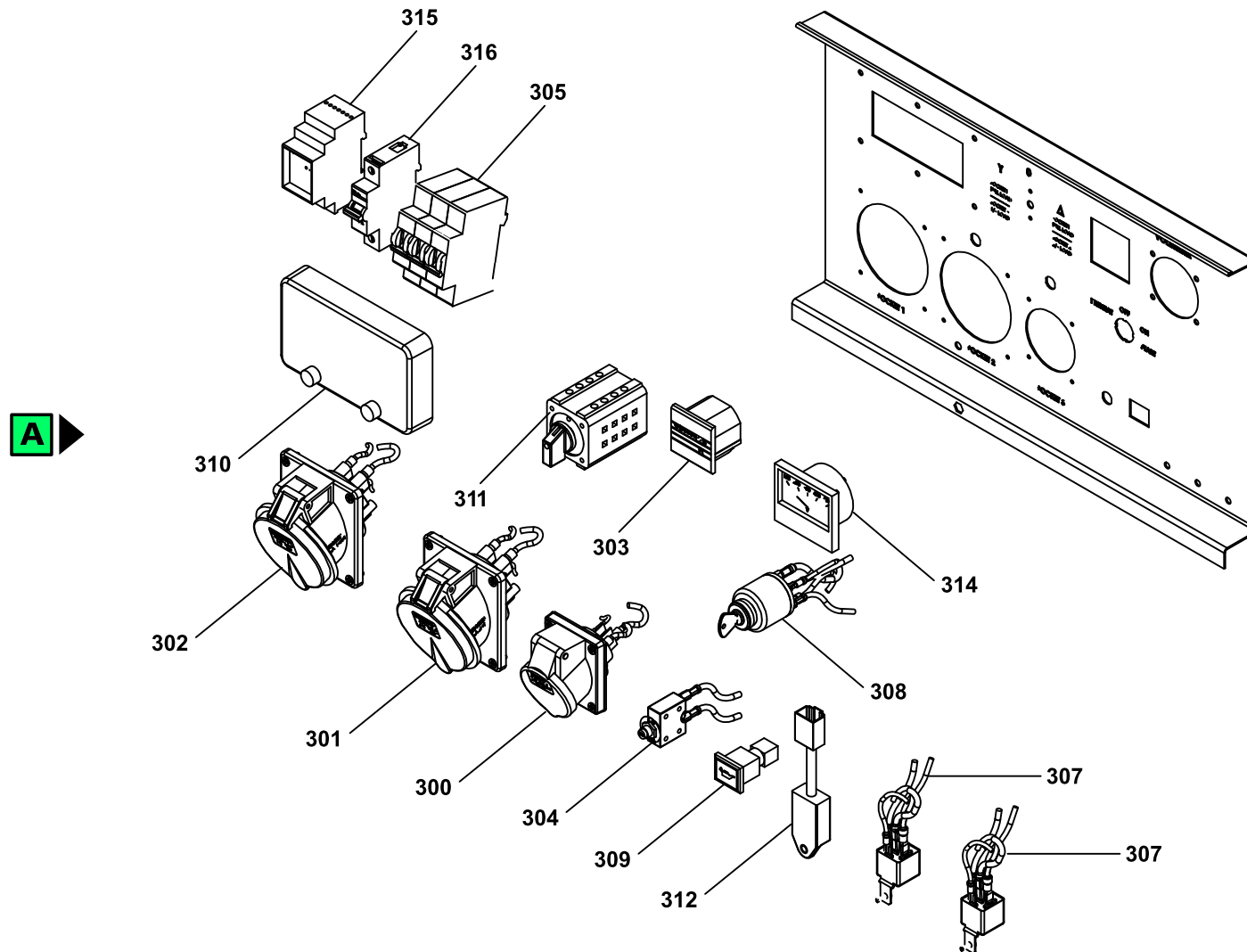
Generating sets

Valid for machine code: PF113TYAZ00

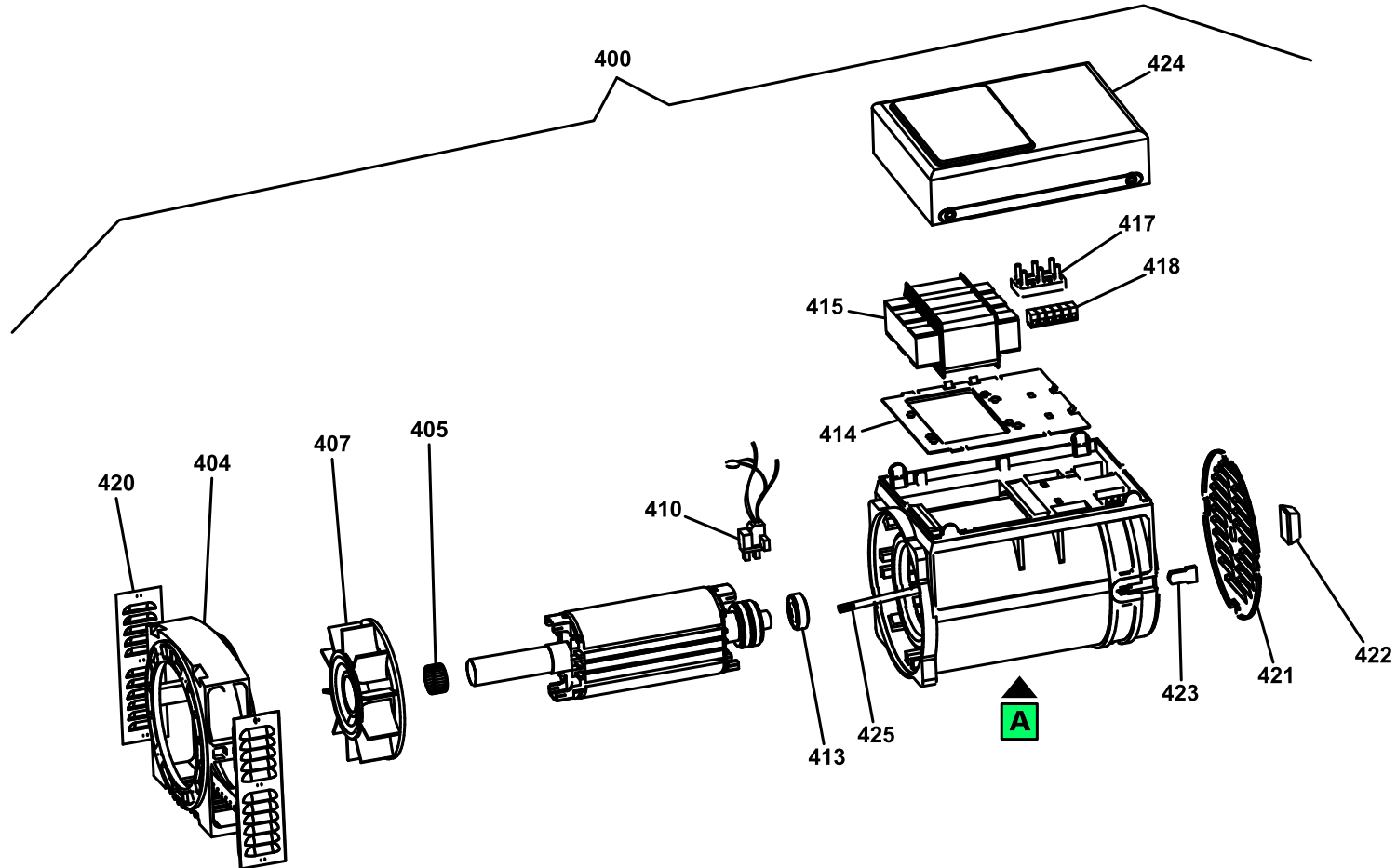
Revision: 0 (03/2008)



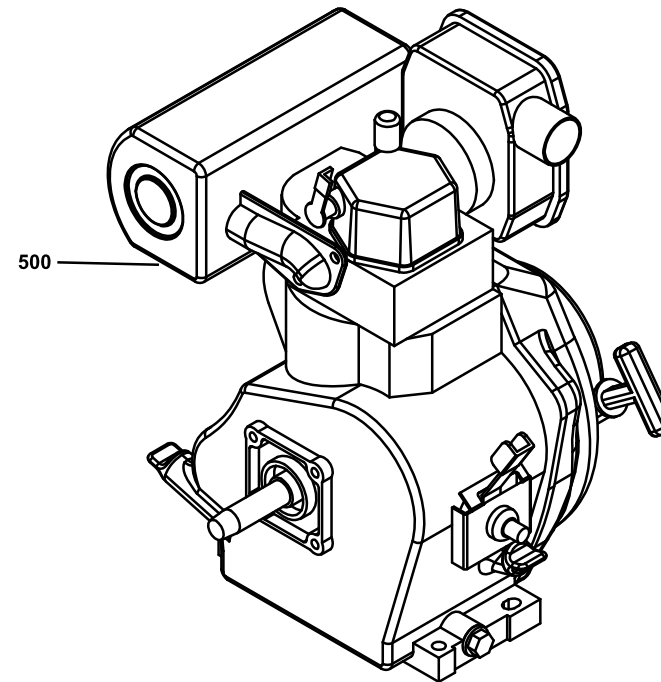
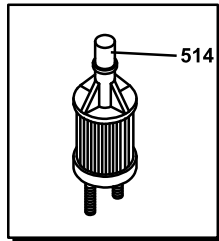
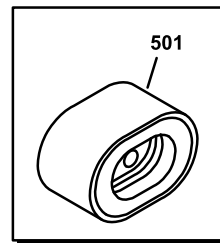
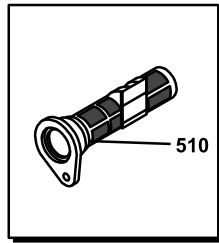
POSITION	PART NUMBER	DESCRIPTION	NOTES
100	VM5C904001-9005B	ASSEMBLY BASE FRAME P11000-2006 PAINTED	
101	SM5Z001551	ASSEMBLY ALTERNATOR PANEL P11000-2006 FOAM ACOUSTIC	
102	SM5Z001550	ASSEMBLY PANEL ENGINE P11000-2006 FOAM ACOUSTIC	
103	VM5S904009-PRAMACB	ASSEMBLED DOOR OF CONTROL PANEL P11000-2006 PAINTED	
104	SM5Z001567	ELEVATION EYE INSULATE ACOUSTIC MATERIAL P11000-2006	
105	VM5S904008-9005B	SEPARATOR P11000-2006 PAINTED	
106	G052935	SILENT-BLOCK D.I-6,5//D.O-15//Esp-8mm	
107	G052215	RUBBER CAP D=47mm H=22 mm PVC BLACK REF.12694	
108	SM5Q990936	INSULATE ACOUSTIC MATERIAL SEPARATOR P11000-2006	
109	G052916	SILENT-BLOCK MF 55X35 M10X25 10-10 SH50	
110	G052105	CYLINDRIC SILENT-BLOCK MF-50x50-M10x25-M10-45	
111	VM9075-9005B	HOOF OF ENGINE YANMAR 3TNV70 P11000-2006 PAINTED	
112	G080364	FUEL GAUGE	
200	G089019	BATTERY 45AH WITH ACID	
201	SA10002904	FUEL TANK PETROL/DIESEL 24 LITERS	
202	SM5Q000306	THREAD BAR M10 680mm	
203	G051644	ADAPTOR TANK/CANOPY FUEL TANK P11000	
204	G052403	RUBBER WASHER CYLINDRICAL 90mm x 3mm thickness	
205	G051643	RING FOR ADAPTOR TANK/CANOPY P11000	
206	 G080215	FUEL CAP WITHOUT KEY - VENT HOLES ON TOP	Attention: this item is valid for machines produced Interchangeable: YES
206	 G080201	Obsolete use G080215	Attention: this item is valid for machines produced Interchangeable: YES
207	G83310	CURVED PIPE FITTING "NORMA" PLASTIC WS.6 FUEL TANK 8 GAL	
208	G83311	PIPE FITTING GASKET "NORMA" WS 6	
209	G085100	NEEDLE VALVE BUSHED - REF.11478	
210	G084801	GROMMET VALVE #10672	
211	G001640	SKY HOOK 59/M20 ZN	
212	G001420	METALLIC SQUARE KEY FOR PANEL OF 8mm	
300	VM9085-9005B	COVER CONTROL PANEL P11000-2006 PAINTED	
501	VM5G903004-9005O	MUFFLER P11000-2006 PAINTED	
502	VM5G903003-9005O	PIPE P11000-2006 PAINTED	



POSITION	PART NUMBER	DESCRIPTION	NOTES
300	G071121	PANEL MOUNT SOCKET 2P+T 230V 16A IP44 CEE	
301	G071136	SOCKET 2P+T 230V 32A IP44 CEE	
302	G071126	PANEL MOUNT SOCKET 3P+N+T 400V 16A IP44 CEE	
303	G079033	PANEL MOUNT HOUR METER (230V)	
304	G075533	SWITCH US 15 A 250V	
305	G075503	MAGNETOTHERMIC SWITCH 3P 16+16+32A	
307	G075260	RELAY 40A 12V	
308	G075308	STARTER KEY SWITCH	
309	G079907	OIL PRESSURE PILOT LIGHT COBO	
310	G070312	IP55 COVER 8 MODULES DIN	
311	G075305	CAMMES SWITCH Y-A 32 A 4P	
312	PEY00205	TIMER RELAY 3TNV	
313	VM8857-9005B	ADAPTER SOCKET 32A TO 16A	
314	G079025	VOLTMETER 0-500V D56	
315	G075537	PERMANENT INSULATING CONTROLLER SRI/MD	
316	G075538	REMOTE SWITCH-OFF DEVICE (DIN)	
320	SM5P300009	CONTROL PANEL MCP 32A CONNECT Y // D 50Hz -- VOLTAJE SELECTOR - P11000-2006	



POSITION	PART NUMBER	DESCRIPTION	NOTES
400	AMT10000AWQ000Y	ALTERNATOR T20FS 130/A 10/230/400/50/3000 - FORM MD35 - SAE 5 - JOINT 7" ½ - MECCALTE	
405	G70693	COMPENSATOR RING (MOD. BN 35X23)	
407	G70703	FAN TR2/MR2	
410	G70055	BRUSHES SET (BH40) TR-1	
413	G010401	BEARING 6204 2RS (20-47-14)	
414	G70054	COMPENSATOR RING TR-1/MR-1	
415	PAM4500313051	Piastra completa porta compound	
417	G70107	TERMINAL BOARD 56x36	
418	G70134	AUXILIARY TERMINAL BOARD SERIES T1	
420	PAM0391600237	GRIGLIA PROTEZIONE LATERALE	
421	G70700	REAR SHUTTER TR2/MR2	
422	G70705	PLUG FOR COVER TR2/MR2	
423	G70056	GROMMET TR-1/MR-1	
424	PAM0390501015	COVER GEN HEAD MECC ALTE S20F	
425	PAM00002	TENSION ROD TR2 T20FS-160	



POSITION	PART NUMBER	DESCRIPTION	NOTES
500	EYP178FWM9Z	Engine Yanmar 3TNV70-HGE Water_3000_Mech_Sae5-7½_12Vdc__Ver/Sp:	
501	PEY00010	OIL FILTER	
503	PEY00014	AIR FILTER	
504	P3KI00066	MAINTENANCE KIT 3TNV70 - (P11000) No. 1	
506	PEY00013	FILTER	
508	P3KI00299	Kit Pramac Power	