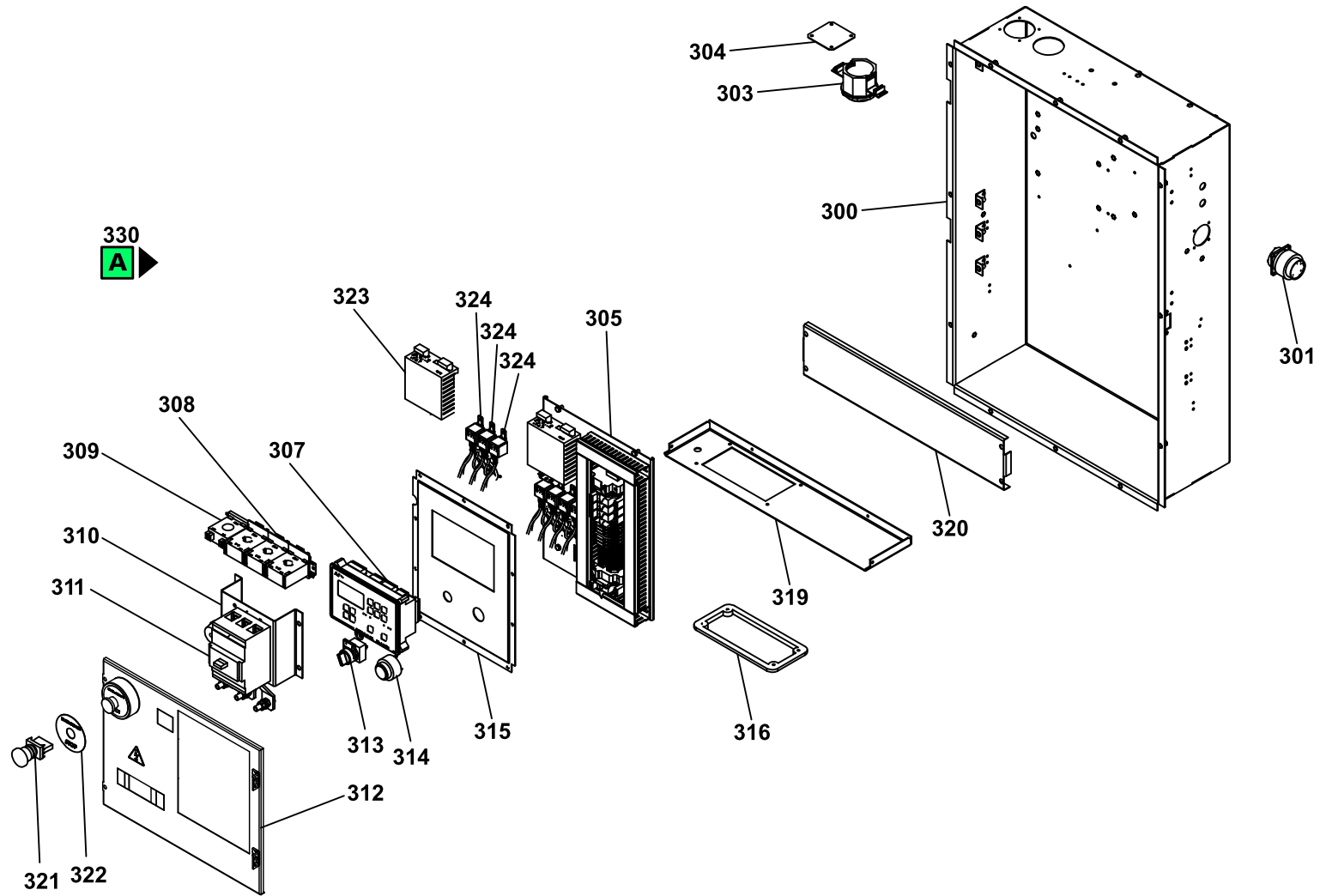


Spare Parts Catalogue

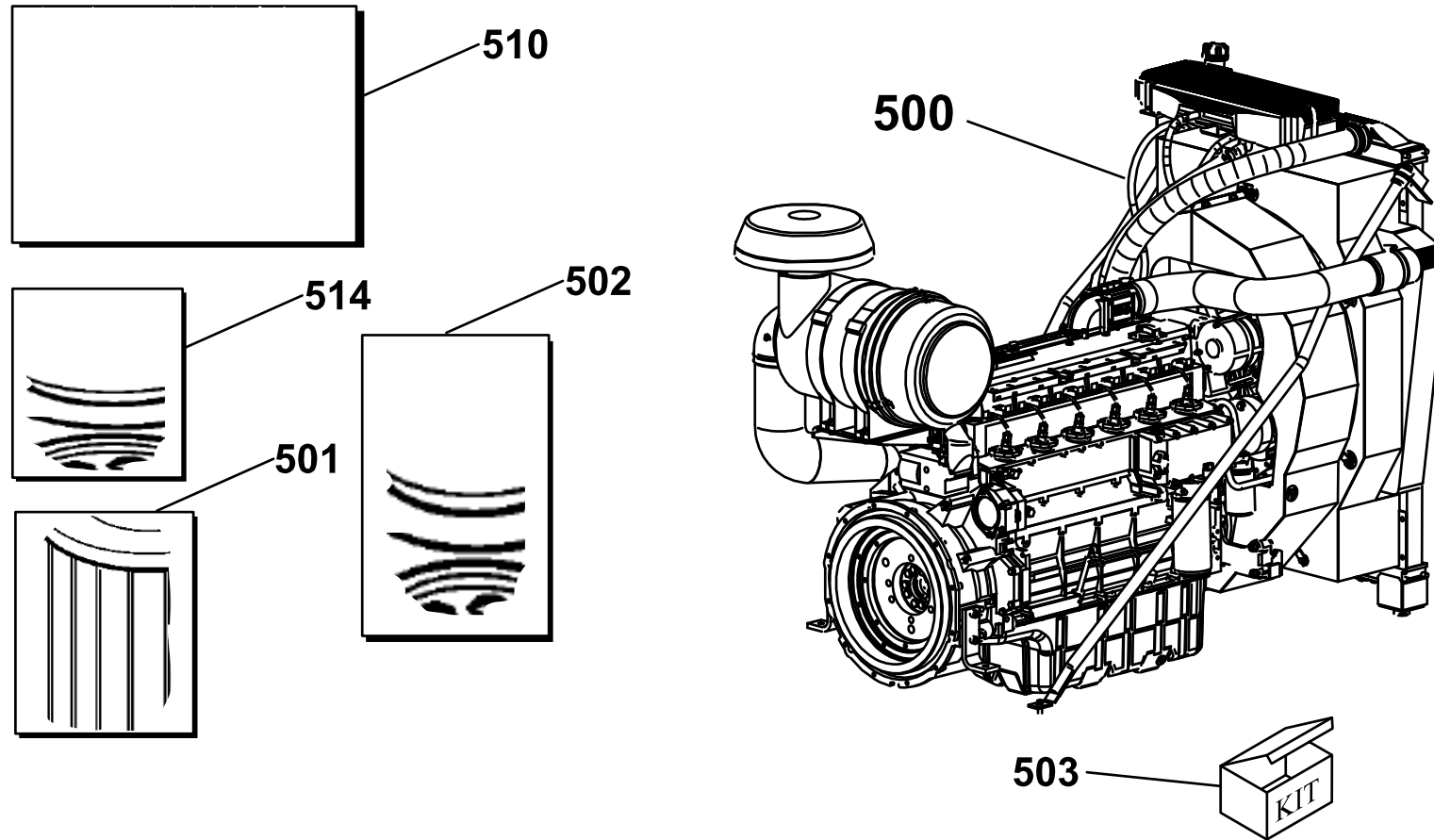
GSW110V-(ALT.M)-ACP

Generating sets

Valid for machine code: SU101TWAX02
Revision: 0 (02/2016)



POSITION	PART NUMBER	DESCRIPTION	NOTES
300	SM5P140400	DESCRIPTION N/A	
301	G079758	CONNECTOR SET MALE 21 PINS PANEL	
303	G070277	BLACK RACORD PG48 [REF. SCHLEMMER 3805021]	
304	VM5P904715-9005B	GLAND PLATE FOR STANDARD CONTROL PANEL , PAINTED	
305	SM5P194017	PANEL COMPONENTS CONTROL P. STANDARD	
307	G076907	CONTROL CARD AC03 ACP CAN BUS WITHOUT CONNECTORS + COMMUNICATION MODULE RS232 (IL-NT RS232) + RESIDUAL CURRENT DEVICE (IL-NT DIFFPM)	
308	G079259	INTENSITY TRANSFORMER IBP 250/5A	
309	G077753	TOROIDAL REVALCO 1/500 DIN 22MM TOR30	
310	GM1752	SUPPORT UNI-R1/R2 INT. T2-T3 [BENT]	
311	G077726	CIRCUIT BREAKER 160A 3P TMG T2N REF. 1SDA061873R1	
312	SM5P140291	DESCRIPTION N/A	
313	G075148	SELECT. 2 POS. ROUND (P9XSMD0N)	
314	G079980	SIREN 24V.	
315	LM1445	TAPA INTERIOR MANDO AC-03 CUADRO ELECTRICO ACP UNI-R1-R2	
316	G051507	CABLE HOUSING + RUBBER GASKET TYPE U403	
317	G025616	THREADED ROD M8X100 OTTONE	
318	G032119	BRASS NUT 5588 M8	
319	GM1446	LOWER TRAY CONTROL PANEL UNI-R1/R2	
320	GM8468	FRONT SUPLEMENT PANEL OF CONTROL PANEL RENT I 1/2	
321	G075150	EMERGENCY STOPZB2-BE101C (COMMON USE)	
322	G075151	EMERGENCY PLATE D.78MM ENGLISH (ref.1SFA616915R1005)	
323	G076816	BATTERY CHARGER 115-277V/12V 3A 50/60HZ	
324	G075258	RELAY 1 COMMUTATE 12V	
330	SM5P499061	ACP (AC-03) UNI-R2 160A 3P III CONEX. Y 50/60Hz 12V	



POSITION	PART NUMBER	DESCRIPTION	NOTES
500	EWV1390CUY6X	Engine Volvo TAD531GE Water_1500_Mech_Sae3-11"½_12Vdc__Ver/Sp:	
501	PEW00097	FILTER INSERT	
502	PEW00125	OIL FILTER	
503	P3KI00353	KIT FILTRI GSW110V TAD531GE	
510	PEW00183	AIR FILTER	
514	PEW00098	FUEL FILTER	