

Spare Parts Catalogue

GSW150V-(ALT.M)-ACP

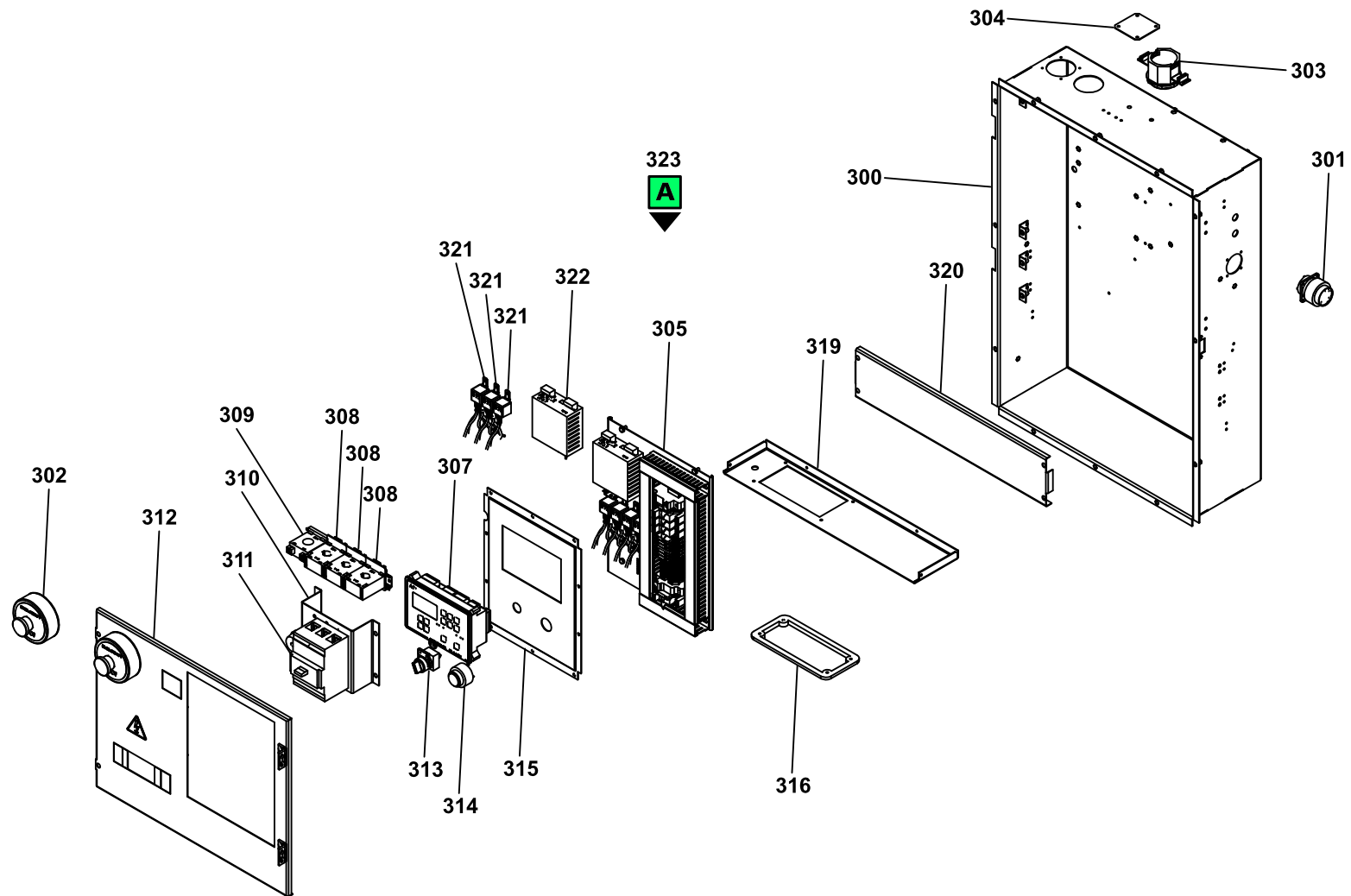
Generating sets

Valid for machine code: SU141TWAX02

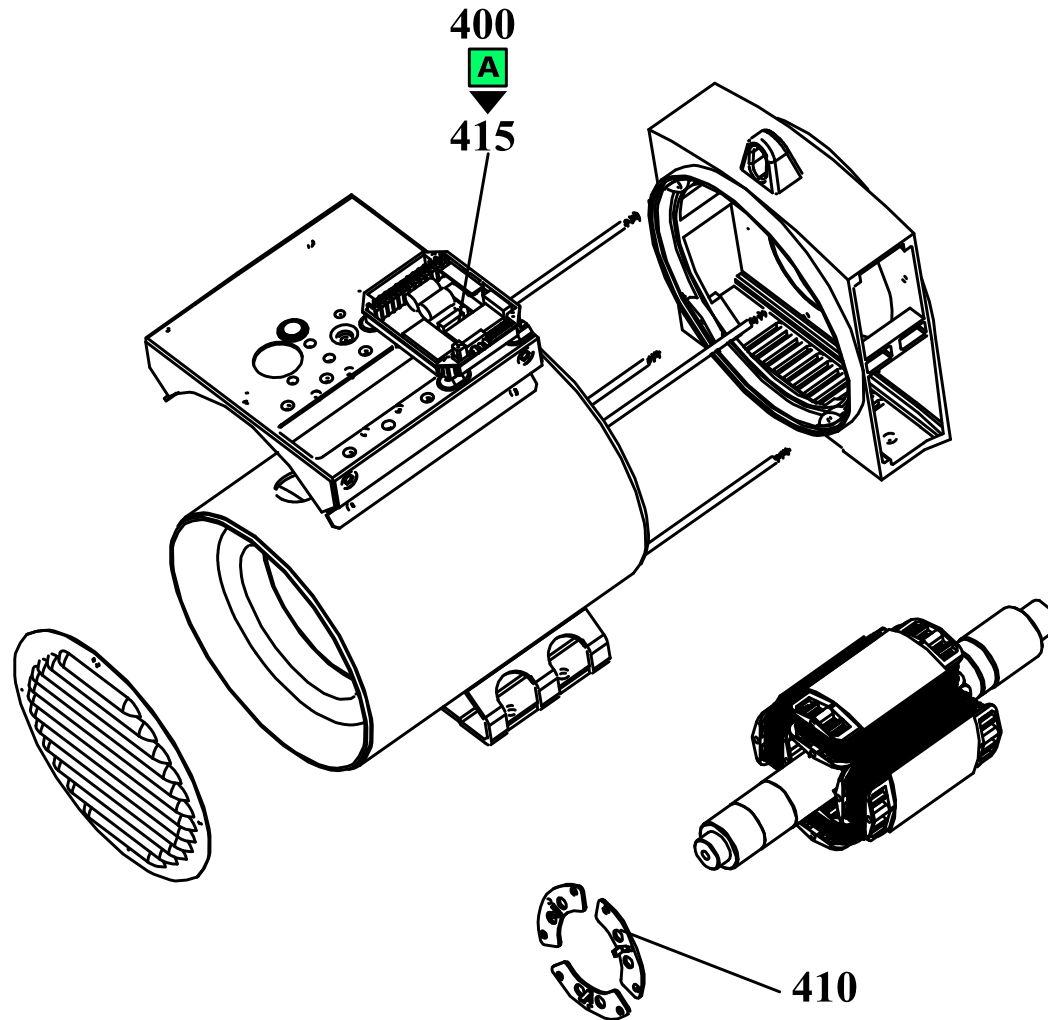
Revision: 0 (12/2014)

POSITION	PART NUMBER	DESCRIPTION	NOTES
100	SM5Z002637	ROOF GSW 110-150 UNI (SOUNDPROOF)	
101	SM5Z002117	LATERAL ASPIRATION PANEL TUBU-PLAST GSW110-220 (SOUNDPROOF ROCK WOOL 40MM - RAL PRAMACB)	
102	SM5Z002967	DOOR CANOPY D-E-CL (RAL PRAMACB)	
103	SM5Z002964	PANEL LAT IZQDO EXPULSION CARROCERIA E-F-CL (FORRADO RAL PRAMACB)	
104	SM5Z001225	FONDO EXPULSION GSW105 E/C FORRADO VERDE PRAMACB	
105	SM5Z001228	PANEL LAT EXPULSION DCHO GSW110-220 E/C FORRADO VERDE PRAMACB	
106	SM5Z002961	PANEL LAT CUADRO CARROCERIA E-F-CL (FORRADO RAL PRAMACB)	
107	SM5Z002080	BACK PANEL ASPIRATION INSIDE GSW110D 2009 (SOUNDPROOF ROCK WOOL 40MM - RAL PRAMACB)	
109	VM5S405055-PRAMACB	PUERTA DE CUADRO ELECTRICO R2-CL (RAL PRAMACB)	
110	VM1806-9005B	BLIND PLATE OF ROOF CAP - PAINTED	
111	VM1805-9005B	PLATE FOR ROUND ROOF CAP SCREW - PAINTED	
112	SM5Z001249	ZOCALO GSW 105 E/C. FORRADO RAL PRAMACB	
113	VM9231-9005B	FITTING LATERAL ACOUSTIC MODULE GSW 65-110 E/C PAINTED	
114	SM5Z001671	THIRD PRAISE FOR SOUNDPROOF MODULE GSW 65-110 E/C	
115	SM5R403063	KIT FIJACION RETEN CERRADURA	
116	VM5C700001-9005B	PAINTED BASE FRAME GSW110I UNI FPT NEF45TM2	
117	VM9417-9005B	SOPORTE ALTERNADOR MECC ALTE EN GSW150 PINTADO	
118	VM5E400014-9005B	PUENTE DE ELEVACION REFORZADO CANOPY E 2550Kg. PINT	
119	SM5Z002232	RADATOR CONVEYER BF4M1013FC GSW150 UNI (FOAM INSULATED 30MM-RAL 9005B)	
120	SM5C406501	SQUARE LEG BASEFRAME UNI (GALVANIZED)	
121	VM9880-9005B	PLETINA FIJACION BATERIA EN DEPOSITO SM5F400100 GSW65-220 (PINTADO)	
122	SM5C700016	CONJUNTO FONDO ATORNILLADO BANCADA PARA CARROCERIA E (SOLDADO)	
123	VM5H000718-9005B	FUEL PRIME PUMP SUPPORT PAINTED IN RAL 9005B	
124	VM5H000700-9005B	SOPORTE PREFILTRO GASOIL	
125	VM5C406017-9005B	SOPORTE MOTOR GSW110D/150D SOLDADO Y PINTADO	
200	G040061	LOCK CAM 1/4 CIRCLE CHROME ZAMAK CONTROL PANEL DOOR WITHOUT KEY	
201	G040037	HINGE INOX 137x85 MM HERCOR	
202	G058018	PLASTIC HANDLE BODY POLYAMIDE PA6 140x120 MM BRASS LATCH WITHOUT KEY	
203	VM1730-9005B	TRIM FRAME PLASTIC LOCK PAINTED RAL 9005B	
204	SM5Q000101	ASPIRATION GRILL STANDARD (PLASTIC) + STRIP SEAL	
205	G001422	SINGLE KEY IN POLYAMIDE PA6 RED RAL3020 WITH LOGO PRAMAC	
206	SM5Q300003	WINDOW CONTROL PANEL DOOR R1-R2 (POLYCARBONATE)	
207	G052215	RUBBER CAP D=47mm H=22 mm PVC BLACK REF.12694	
208	SM5F400100	PLASTIC FUEL TANK 350 LITROS FOR GSW SERIES	
209	G080347	FUEL GAUGE FLOAT H= 270 IN12/ OUT 10mm	
210	G052932	SILENT-BLOCK BELL BSB 95 C60 M-12.	

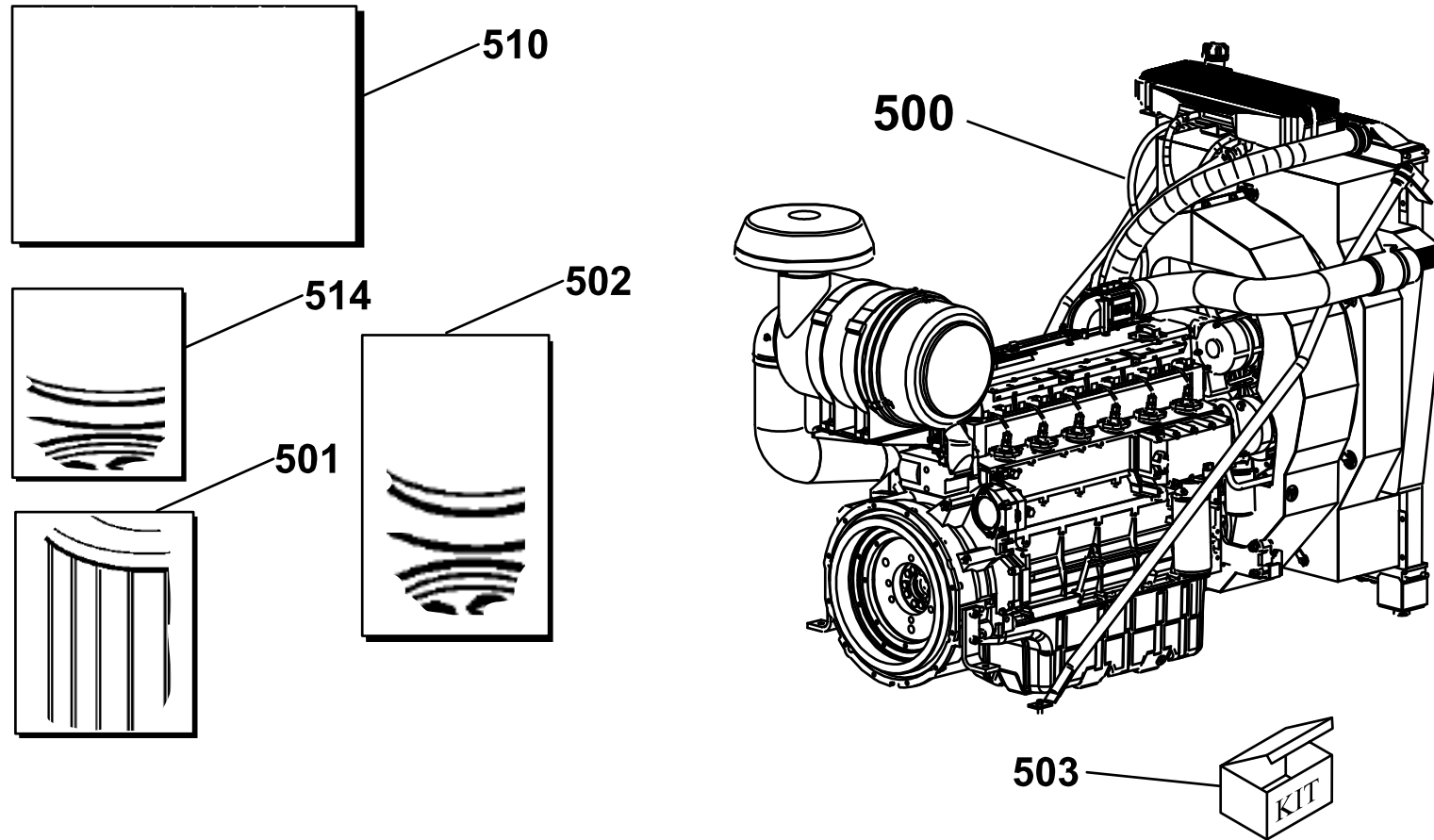
POSITION	PART NUMBER	DESCRIPTION	NOTES
211	G001626	SKY HOOK 59/M30 ZN	
212	G089023	BATTERY 140 AH (code 067145607302)	
213	SM5R205050	DESCRIPTION N/A	
214	VM5H000208-9005B	SPACER SILENT BLOCK	
215	G052931	SILENT-BLOCK BELL BRB 110 D70 M-12	
216	G040011	PLASTIC HINGE ZN-PA.001	
217	G078719	RING WATERTIGHT FOR EMERGENCY STOP IN BLACK POLIURETANE	
218	G040062	SOCKET FOR LOCK HANDLE WITH CAM 1/4 CIRCLE IN BLACK PLASTIC FOR CONTROL PANEL DOOR	
219	G051152	PLASTIC CAP D.185 - ROOF GSW ITALY-SPAIN	
220	SV70013982	EXTERNAL GASKET ROOF CAP D.190 GSW ITALY-SPAIN	
501	VM5G400029-9005O	SILENCIOSO ESCAPE PARA GSW150 E/C PINTADO NEGRO ANTICALORICO 9005O	
502	SM5G514004	CHIMENEA RIGIDA SALIDA ESCAPE CON BRIDA FIJACIÓN PARA GSW135-160. E/C. SOLD.	
503	G088343	RAIN PROTECTION COVER D.120 MM	
504	VM5G401005-9005O	COLECTOR DE ESCAPE INSONORO GSW110-150D/V (BF4M1013EC/FC // TAD 531/532) (PINTADO)	



POSITION	PART NUMBER	DESCRIPTION	NOTES
300	SM5P140400	DESCRIPTION N/A	
301	G079758	CONNECTOR SET MALE 21 PINS PANEL	
303	G070277	BLACK RACORD PG48 [REF. SCHLEMMER 3805021]	
304	VM5P904715-9005B	GLAND PLATE FOR STANDARD CONTROL PANEL , PAINTED	
305	SM5P194017	PANEL COMPONENTS CONTROL P. STANDARD	
307	G076907	CONTROL CARD AC03 ACP CAN BUS WITHOUT CONNECTORS + COMMUNICATION MODULE RS232 (IL-NT RS232) + RESIDUAL CURRENT DEVICE (IL-NT DIFFPM)	
308	G079259	INTENSITY TRANSFORMER IBP 250/5A	
309	G077753	TOROIDAL REVALCO 1/500 DIN 22MM TOR30	
310	GM1752	SUPPORT UNI-R1/R2 INT. T2-T3 [BENT]	
311	G077728	CIRCUIT BREAKER ABB 250A 3P TMG T3N REF. 1SDA055111R1	
312	SM5P140291	DESCRIPTION N/A	
313	G075148	SELECT. 2 POS. ROUND (P9XSMD0N)	
314	G079980	SIREN 24V.	
315	VM1445-9005B	TAPA INTERIOR MANDO AC-03 CUADRO ELECTRICO ACP UNI-R1-R2 (PINTADO)	
316	G051507	CABLE HOUSING + RUBBER GASKET TYPE U403	
319	GM1446	LOWER TRAY CONTROL PANEL UNI-R1/R2	
320	GM8468	FRONT SUPLEMENT PANEL OF CONTROL PANEL RENT I 1/2	
321	G075258	RELAY 1 COMMUTATE 12V	
322	G076816	BATTERY CHARGER 115-277V/12V 3A 50/60HZ	
323	SM5P499062	CUADRO ACP (AC-03) UNI-R2 250A 3P III CONEX. Y 50/60Hz 12V +CAN-BUS	



POSITION	PART NUMBER	DESCRIPTION	NOTES
400	AMX130FTT000Z	ALTERNATOR ECO34 1L/4 125/115/230/400/50-60/1500/12M - MD35 FORM - SAE 2 - JOINT 11 1/2 - MECC-ALTE	
410	G70284	ROTATING BRIDGE T30	
415	PAM00017	DIGITAL GOVERNOR DSR	



POSITION	PART NUMBER	DESCRIPTION	NOTES
500	EWV1780DTFBZ	Engine Volvo TAD532GE Water_1500_Electr EDC4_SAE2-11½_12Vdc__Ver/Sp:	
501	PEW00097	FILTER INSERT	
502	PEW00125	OIL FILTER	
503	P3KI00355	FILTERS KIT GSW150V-GSW170V TAD532GE TAD731GE	
510	PEW00095	FILTER INSERT	
514	PEW00098	FUEL FILTER	