

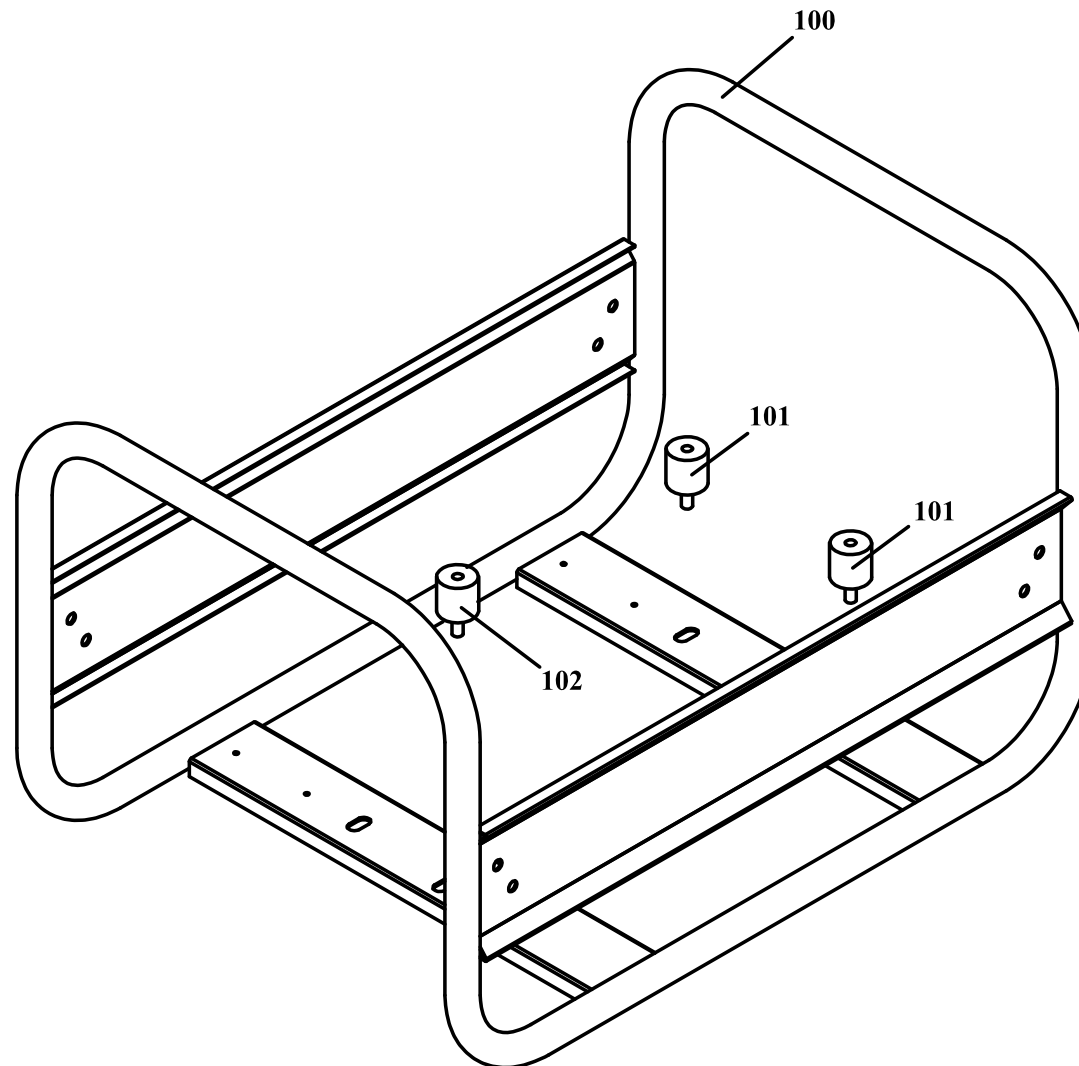
Spare Parts Catalogue

E8000-MONOPHASE

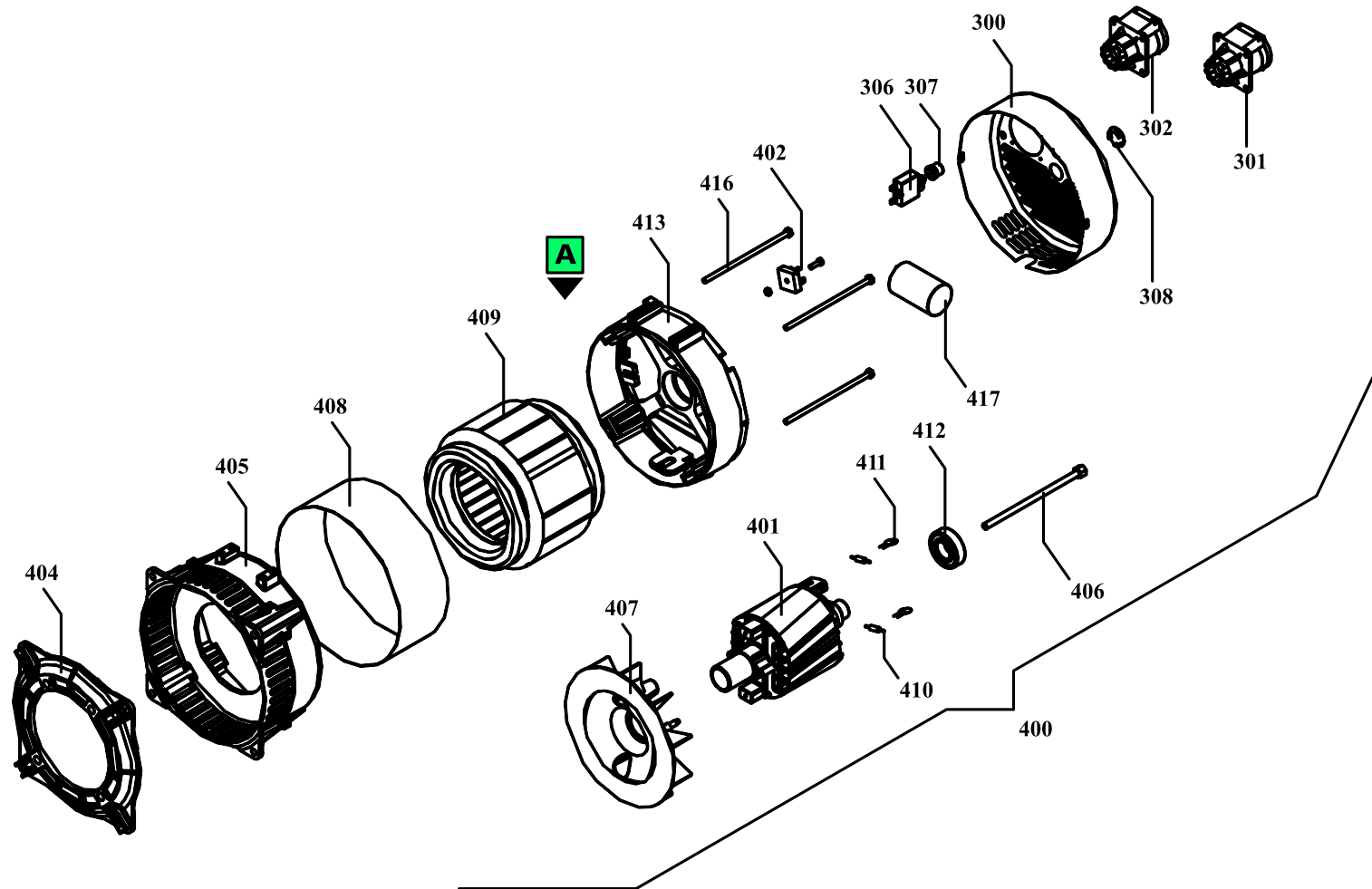
Generating sets

Valid for machine code: PA652SHI000

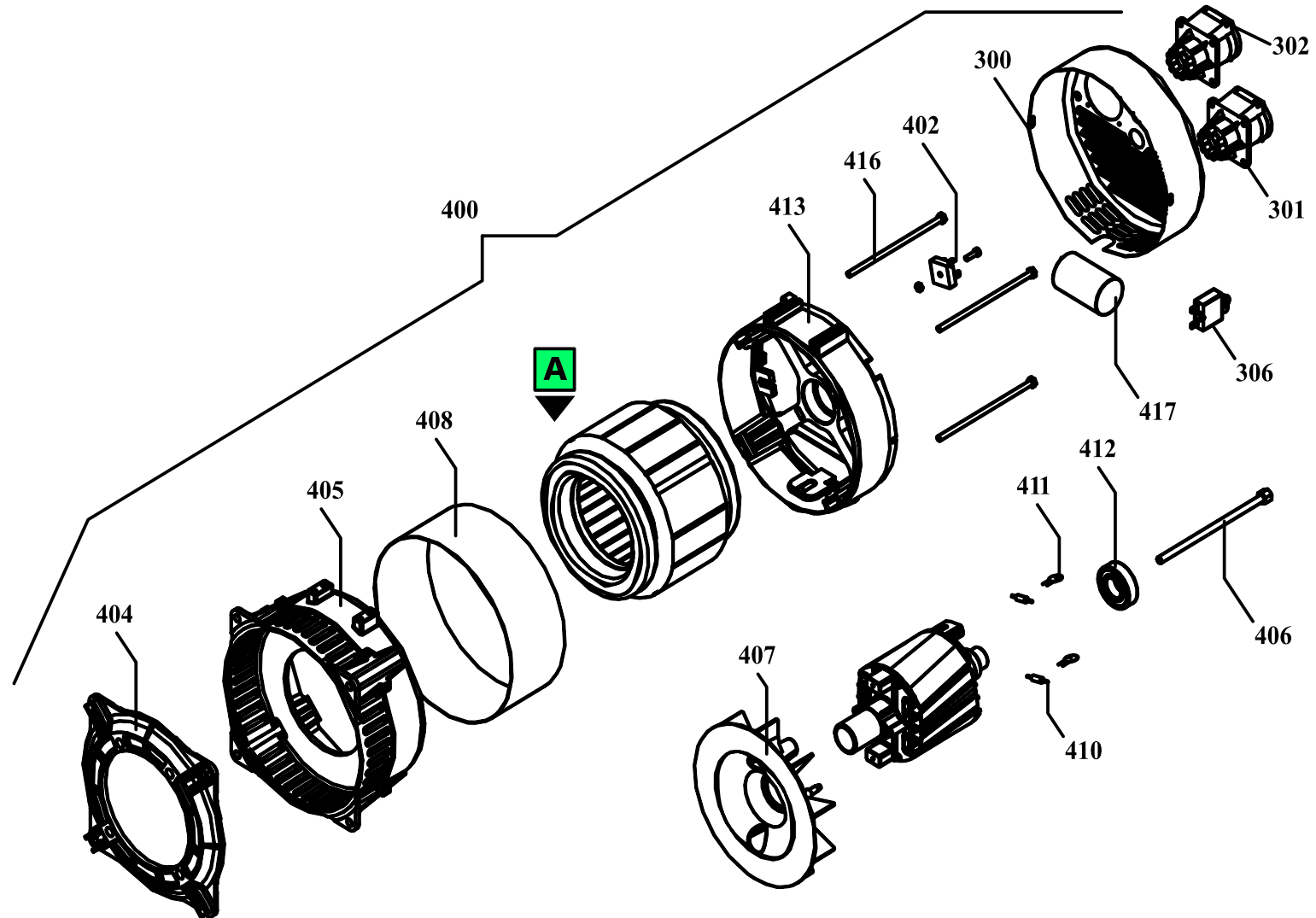
Revision: 0 (01/2008)



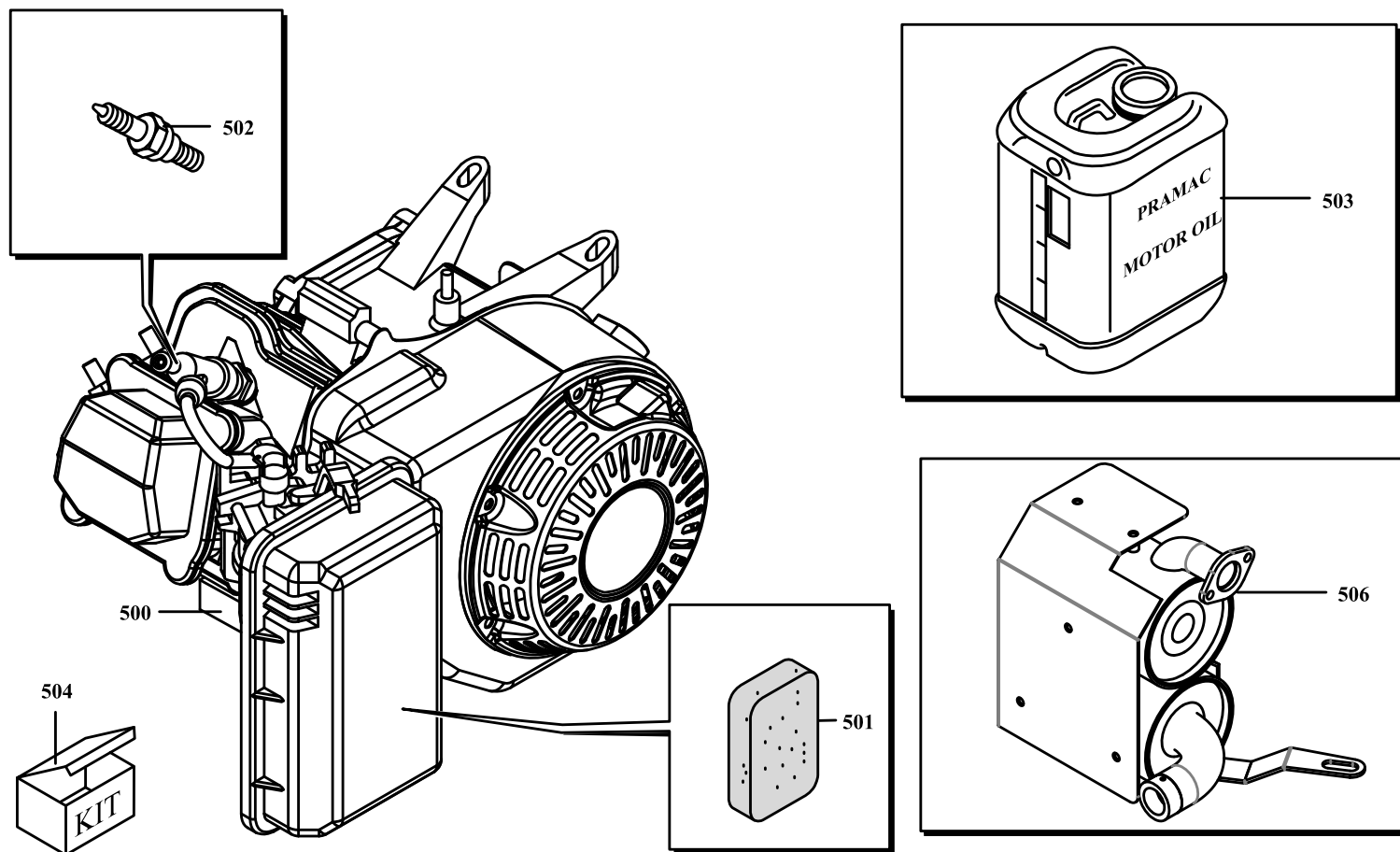
POSITION	PART NUMBER	DESCRIPTION	NOTES
100	VA40025001-PRAMACB	COMPLETE FRAME 5000 PAINTED	
101	G052112	CYLINDRIC SILENT-BLOCK MF-30x30-M8x15-M8-60	
102	G052120	CYLINDRIC SILENT-BLOCK MF-40x40-M8x14-M8-45	



POSITION	PART NUMBER	DESCRIPTION	NOTES
300	PAM0391702710	COVER 1SCHUKO+1CEE32A+2THERMAL SWITCH	
301	G071136	SOCKET 2P+T 230V 32A IP44 CEE	
302	G071131	SOCKET SUBASSEMBLY, POWER SUPPLY	
306	G075535	THERMAL CIRCUIT BREAKER 25A	
400	AMS6500CB0ADBZ	ALT. AR2 110 6,5/115/230/50/3000 J609b	
402	PAM0391400607	RECTIFYING DIODE BRIDGE MF (SKB25-08)	
404	PAM0390600175	FLANGE ALT. AR2 J609b - S20W	
405	PAM0391700333	COVER AR2	
406	PAM0391800343	CENTRAL TENSION ROD AR2 6,5KVA J609b 190 mm	
407	PAM0392000039	FAN AR2/110	
408	PAM0390601050	SHUTTER BAND AR2 6,5 KVA	
409	PAM0391702001	STATOR AR2/110 6.5/115/230/50/3000	
410	PAM9910356050	DIODE D2/125 25A	
411	G70459	VARISTOR Z-10-L-561	
412	G70704	REAR BEARING 6205-2Z	
413	PAM0390302222	ALT. FRONT COVER AR2/110	
416	PAM0391800295	SIDE TENSION ROD AR2 6,5 KVA	
417	G079102	CAPACITOR 35uF 450V	



POSITION	PART NUMBER	DESCRIPTION	NOTES
300	PAM0391702710	COVER 1SCHUKO+1CEE32A+2THERMAL SWITCH	
301	G071131	SOCKET SUBASSEMBLY, POWER SUPPLY	
302	G071129	PANEL MOUNT SOCKET 2P+T 230V 32A IP44 CEE	
306	G075535	THERMAL CIRCUIT BREAKER 25A	
400	AMS6000CB0ADBZ	ALTERNATOR S20W 95/A 6/115/230/50/3000 J609b	
402	PAM0391400607	RECTIFYING DIODE BRIDGE MF (SKB25-08)	
404	PAM0390600175	FLANGE ALT. AR2 J609b - S20W	
405	PAM0391700333	COVER AR2	
406	PAM00012	SECURING STUD S20W 7.2 186mm	
407	PAM0392000041	FAN S20W	
408	PAM0390601053	Enclosing Band S20W 6Kva	
410	PAM9910356050	DIODE D2/125 25A	
411	G70459	VARISTOR Z-10-L-561	
412	G70704	REAR BEARING 6205-2Z	
413	PAM0390302222	ALT. FRONT COVER AR2/110	
416	PAM0391800322	Cover stay bolt S20W 6Kva	
417	G079102	CAPACITOR 35uF 450V	



POSITION	PART NUMBER	DESCRIPTION	NOTES
500	▲ EHA130BB33Z	Engine Honda GX390K1 VXB7 Air_3000_Mech_J609b-_Handstart__Ver/Sp:	Attention: this item is valid for machines produced from 20/09/2005 until 02/02/2006 Interchangeable: NO
500	▲ EHA130BB33Y	Engine Honda GX390U1 VXB9 Air_3000_Mech_J609b-_Handstart__Ver/Sp:	Attention: this item is valid for machines produced from 02/02/2006 Interchangeable: NO
501	PEH17210-ZE3-505	AIR FILTER GX390 GX270 EX REF: ZE3-010	
502	PEH98079-56846	SPARK PLUG BPR6ES	
503	P3K100299	Kit Pramac Power	
504	P3K100007	MAINTENANCE KIT E8000-ES8000-EXP. HGW180-HGW210-W170-W210-PW240-PW3000	
506	VA40016008-9005O	COMPLETE PRAMAC MUFFLER PAINTED x GX390	