

Spare Parts Catalogue

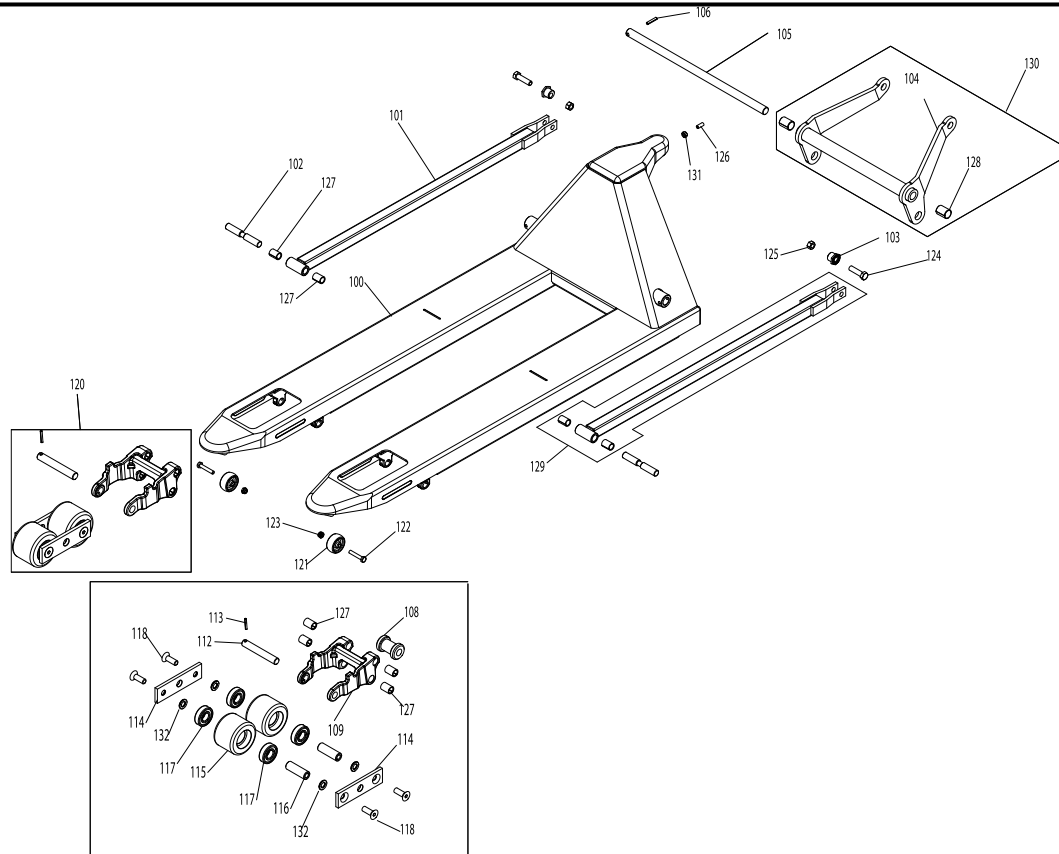
GS EVO INOX 25S4 RA 1150x525 NYLON"1"-INOX-PRAMAC

Hand pallet trucks

Valid for machine code: TRB41AII810
Revision: 0 (05/2021)

GS EVO INOX 25S4 RA 1150x525 NYLON"1"-INOX-PRAMAC - Machine code: TRB41AII810

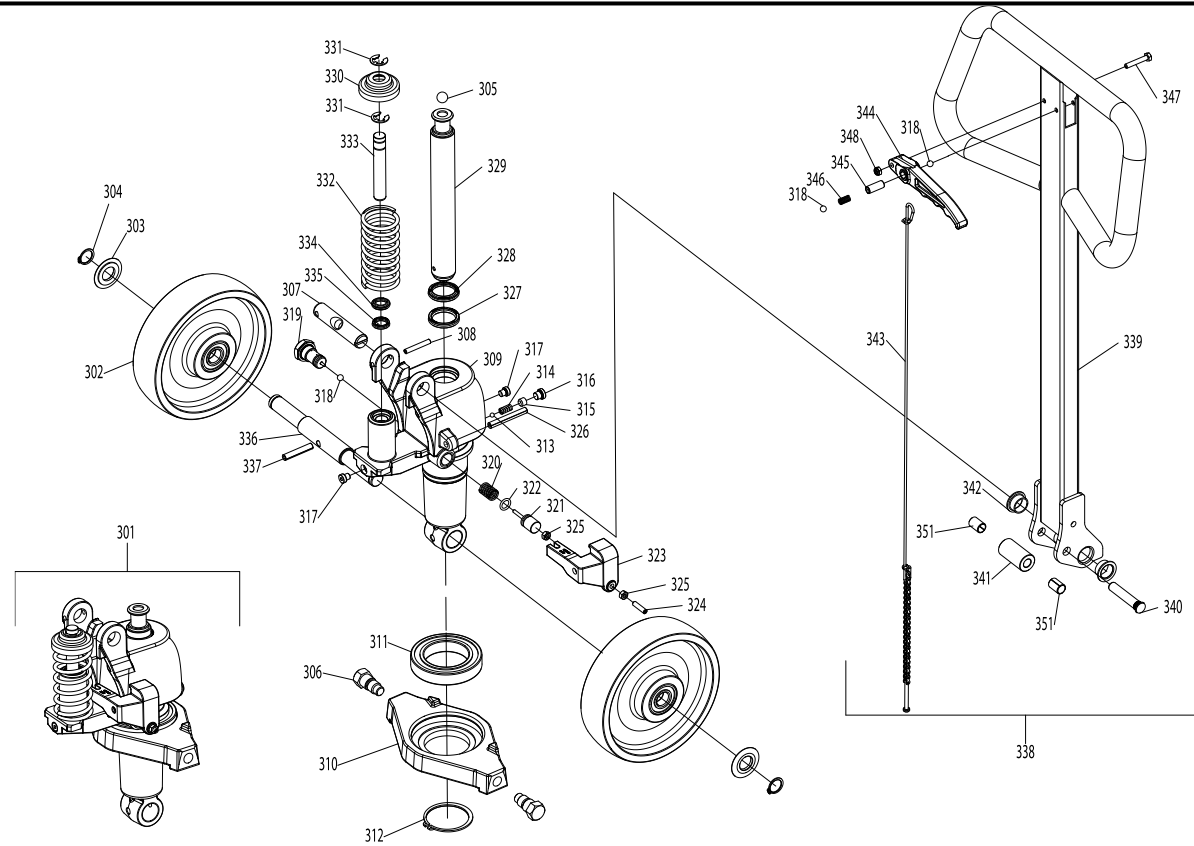
Spare Parts Catalogue GS EVO INOX 25S4 RA 1150x525 NYLON"1"-INOX-PRAMAC - Revision: 0 (05/2021)



POSITION	PART NUMBER	DESCRIPTION	NOTES
100	S0001010285	ELECTROPOLISHED FRAME GS INOX RA 1150x525	
101	S000005075	PUSH ROD GS/I 1150 '09 ELECTRO PLATED	
102	S0002503015	PIN D16x113 GS/INOX	
103	S0004503033	ADJUSTING CAM GS/INOX	
104	S000005071	ELECTROPOLISHED ROCKER ARM GS INOX 25 b5=525	
105	S0003013018	ROCKER ARM AXLE GS INOX b5=525	
106	G044315	ELASTIC PEG 6873 D 6x32 INOX	
107	S0002503017	REFERENCE PIN GS/INOX	
108	G056104	EXIT NYLON ROLLER D38 GS	
109	S0002501055	DOUBLE CLEVIS GS/I (MACHINED)	
112	S0002503016	TANDEM CONNECTION PIN GS/INOX	
113	G044305	ELASTIC PEG 6873 D 4x30 INOX	
114	S000005603	ELECTROPOLISHED TANDEM ROLLER HOLDER GS/I	
115	G056109	NYLON ROLLER D82x60	
116	S0002503035	TANDEM ROLLER SPACER GS/INOX	
117	G010413	BEARING 6204 2RS (20-47-14) INOX	
118	G022838	VITE TSPE 5933 8.8 M12x35 INOX	
120	S000011014	ROLLER TANDEM NYLON Ø82x60 +INOX BEARINGS + CLEVIS GS INOX	
121	G056103	ENTRY ROLLER FORK TP/E-GS	
122	G020142	SCREW HEX-HEAD 5737 65 INOX M8x45	
123	G034407	LOW-PROFILE SELF-LOCKING NUT 7474 M 8 INOX	
124	G020125	SCREW HEX-HEAD 5737 65 INOX M12x45	
125	G032403	STANDARD NUT 5588 65 INOX M12	
126	G022610	SCREW STEI 5925 INOX M8x20	
127	G016387	SELF-LUBRICATING BUSHING DU-B 16x18x25	
128	G016386	SELF-LUBRICATING BUSHING DU-B 20x23x15	
129	S000005074	DESCRIPTION N/A	
130	S000005080	DESCRIPTION N/A	
131	G032402	STANDARD NUT 5588 65 INOX M 8	
132	G041203	ROSETTA PIANA 6592 13x24 INOX	
199	P0KI00017	GASKET KIT GS '20-BASIC-EVO -AV-SILENCE-GALV-INOX	

GS EVO INOX 25S4 RA 1150x525 NYLON"l"-INOX-PRAMAC - Machine code: TRB41AII810

Spare Parts Catalogue GS EVO INOX 25S4 RA 1150x525 NYLON"l"-INOX-PRAMAC - Revision: 0 (05/2021)



POSITION	PART NUMBER	DESCRIPTION	NOTES
301	P0PP00019	Hydraulic Set Gs/i 2500 Kg + Complete Tiller Gs/i	
302	S000005068	NYLON WHEEL D200x50+BEARINGS GS/X-I '09	
303	G091101	WHEEL DUSTGUARD TP 47x20 SP3.9 TELLURE	
304	G042102	OUTER SEEGER 7435 E 20 INOX	
305	G016120	BALL 9/16" (mm14,288) INOX	
306	S000020501	CROSS SCREW GS INOX	
307	S000034313	STAINLESS STEEL TILLER PIN GS/I	
308	G044356	STAINLESS STEEL ELASTIC PEG SPIROL MEDIUM DUTY ISO 8750 (DIN 7343) D6x40	
309	S000034300	CORPO POMPA LAVORATO OTTONE GS/I	
310	S000034301	MACHINED BRASS CROSS GS/I	
311	G010406	BEARING 6012 2RS INOX	
312	G042103	OUTER SEEGER 7435 E 60 INOX	
313	G016116	BALL 7/32" (mm5,556)	
314	S000034002	RELIEF VALVE SPRING GS	
315	G022503	SOCKET SET SCREW M10x1 L=8mm ISO 4026 (DIN 913) ESLOK	
316	G087015	CAP WITH SEAL M10x1 INOX	
317	G087023	CYLINDRICAL HEAD SCREW - HEX SOCKET M8x1 STAINLESS STEEL CAP WITH SEAL	
318	G016121	BALL 5/16" (mm7,938) INOX	
319	S000034329	COMPLETE SEALING PROPORTIONAL VALVE GS/I	
320	S000034003	OPENING PLUNGER SPRING GS	
321	S000034302	SPILLO APERTURA INOX GS/I	
322	G095071	O-RING 115 CRC(614DOWTY) 11,91x2,62 IN SILICONE ROSSO	
323	G0P902	CONTROL PEDAL GS	
324	G023102	SCREW STEI 5923 INOX M6x25	
325	G032401	STANDARD NUT 5588 65 INOX M 6	
326	G044354	STAINLESS STEEL ELASTIC PEG SPIROL MEDIUM DUTY ISO 8750 (DIN 7343) D8x60	
327	G098208	SEAL IN PU 32x40x6.3	
328	G094000	WIPER IN PU 32x40x4	
329	S000034305	STAINLESS STEEL ROD GS/I	
330	S000034306	BICCHIERE GUIDA-MOLLA GS/I AISI304 - FINITURA 2B	
331	G042504	STAINLESS STEEL CIRCLIP FOR SHAFTS RS UNI 7434 D12 (DIN 6799)	
332	S000034326	STAINLESS STEEL TILLER RETURN SPRING GS/I QL	
333	S000034303	STAINLESS STEEL PUMPING ROD GS/I	
334	G094018	WIPER IN NBR+METAL 16x24x3,5	
335	G098200	SEAL IN PU 16x22x5	
336	S000034331	STAINLESS STEEL WHEEL AXIS GS/I	

POSITION	PART NUMBER	DESCRIPTION	NOTES
337	G044355	STAINLESS STEEL ELASTIC PEG SPIROL MEDIUM DUTY ISO 8750 (DIN 7343) D8x45	
338	S000034314	COMPLETE TILLER GS/I	
339	S000034315	ELECTRO-PLATED STAINLESS STEEL PUMP TILLER GS/I	
340	S000034308	PERNO RULLINO DI POMPAGGIO INOX GS/I	
341	S000034309	RULLINO DI POMPAGGIO INOX GS/I	
342	G016326	FLANGED SELF-LUBRICATING BUSHING DU-B 20X23X12	
343	S000034310	TIE ROD + CHAIN + PIN GS/I	
344	S0004018006	LOWERING LEVER PALLET TRUCK GS	
345	S0004503025	LOWERING LEVER SPACER GS/INOX	
346	G001138	LOWERING LEVER SPRING GS/GALVINOX-INOX	
347	G020209	SCREW HEX-HEAD 5739 65 INOX M6x35	
348	G032401	STANDARD NUT 5588 65 INOX M 6	
349	G016389	SELF-LUBRICATING BUSHING DU-B 12x14x20	