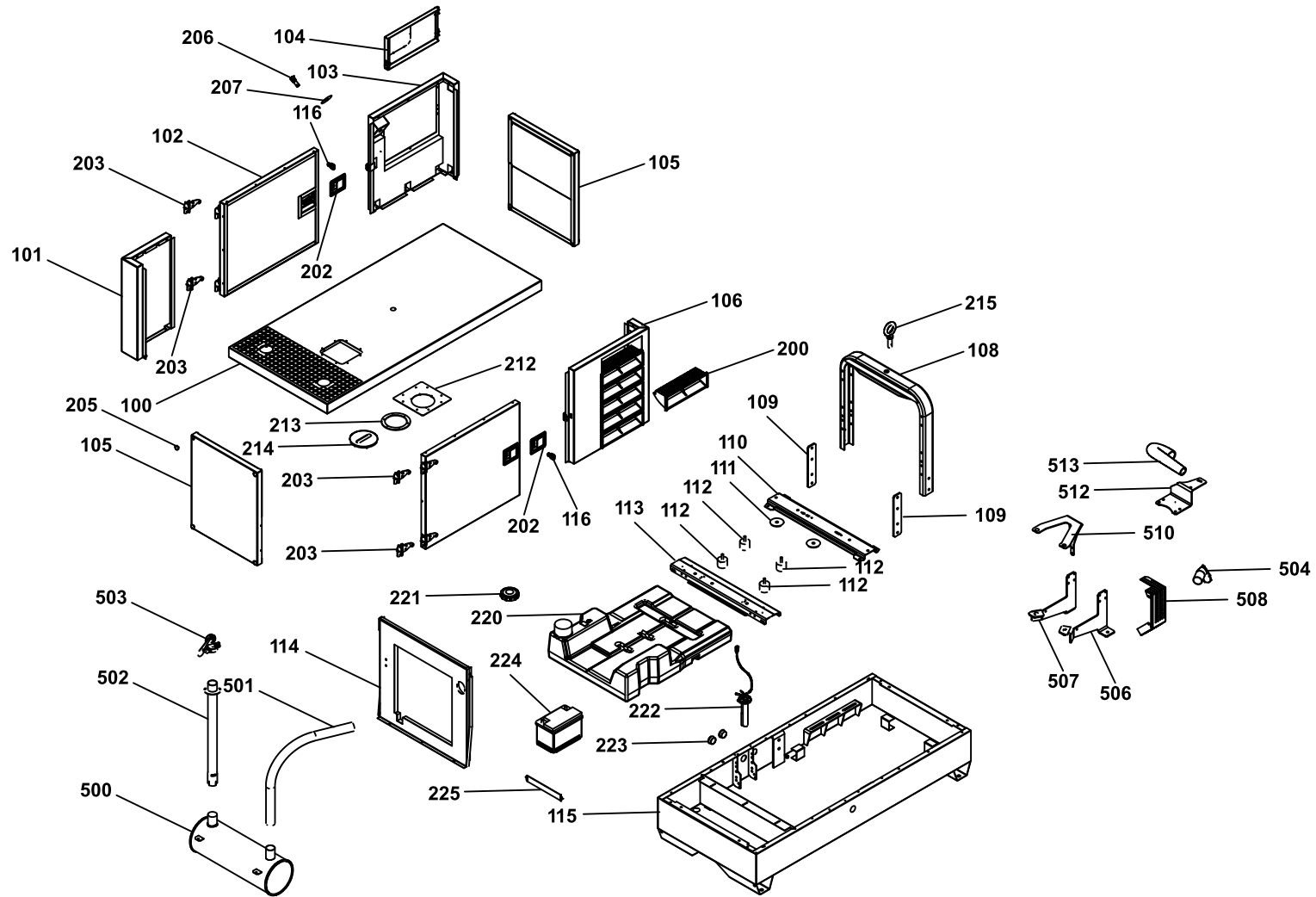


Spare Parts Catalogue

GSW50Y-2015-(ALT.M)-MCP

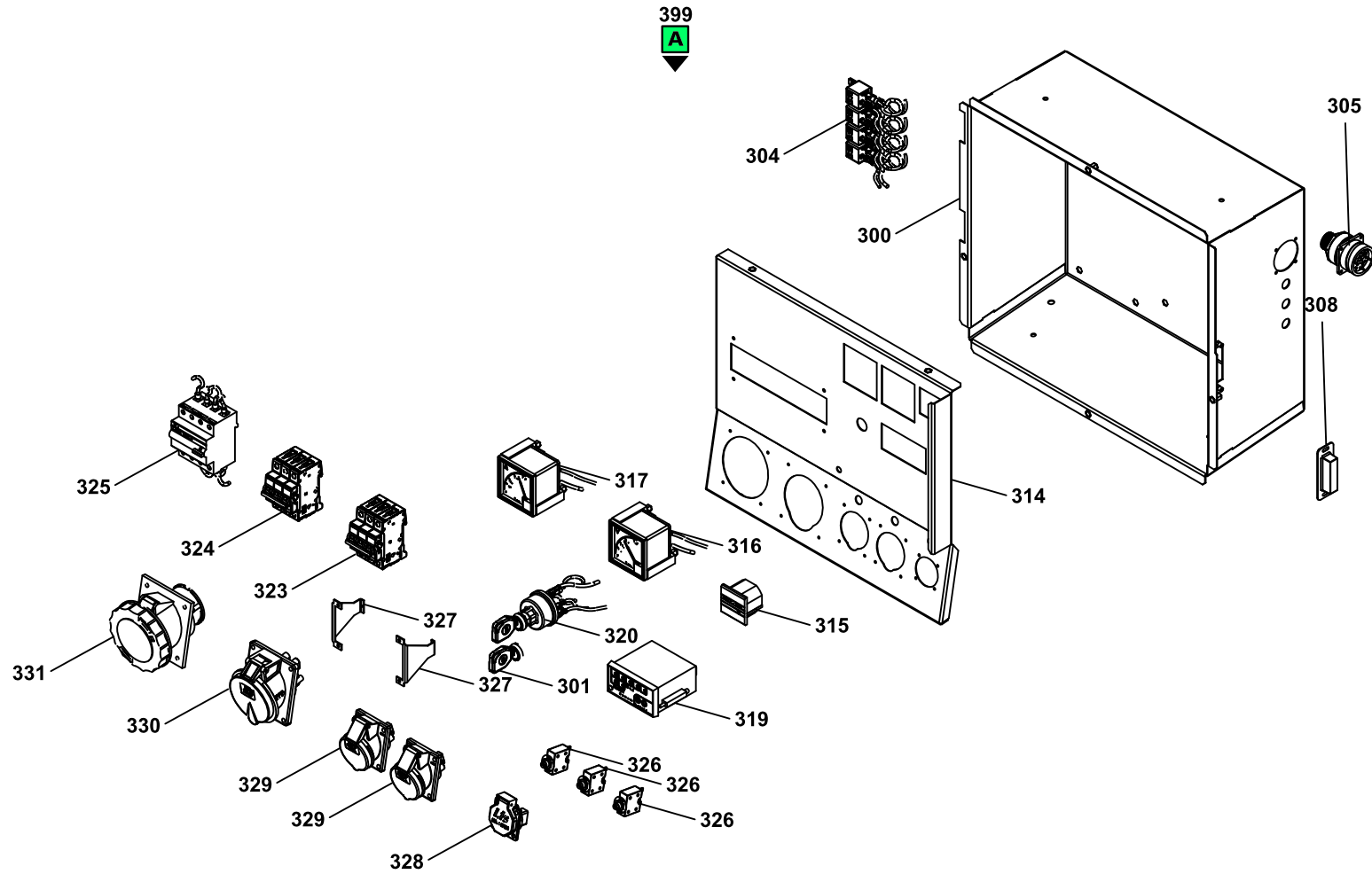
Generating sets

Valid for machine code: SU440TYAZ00
Revision: 0 (08/2016)

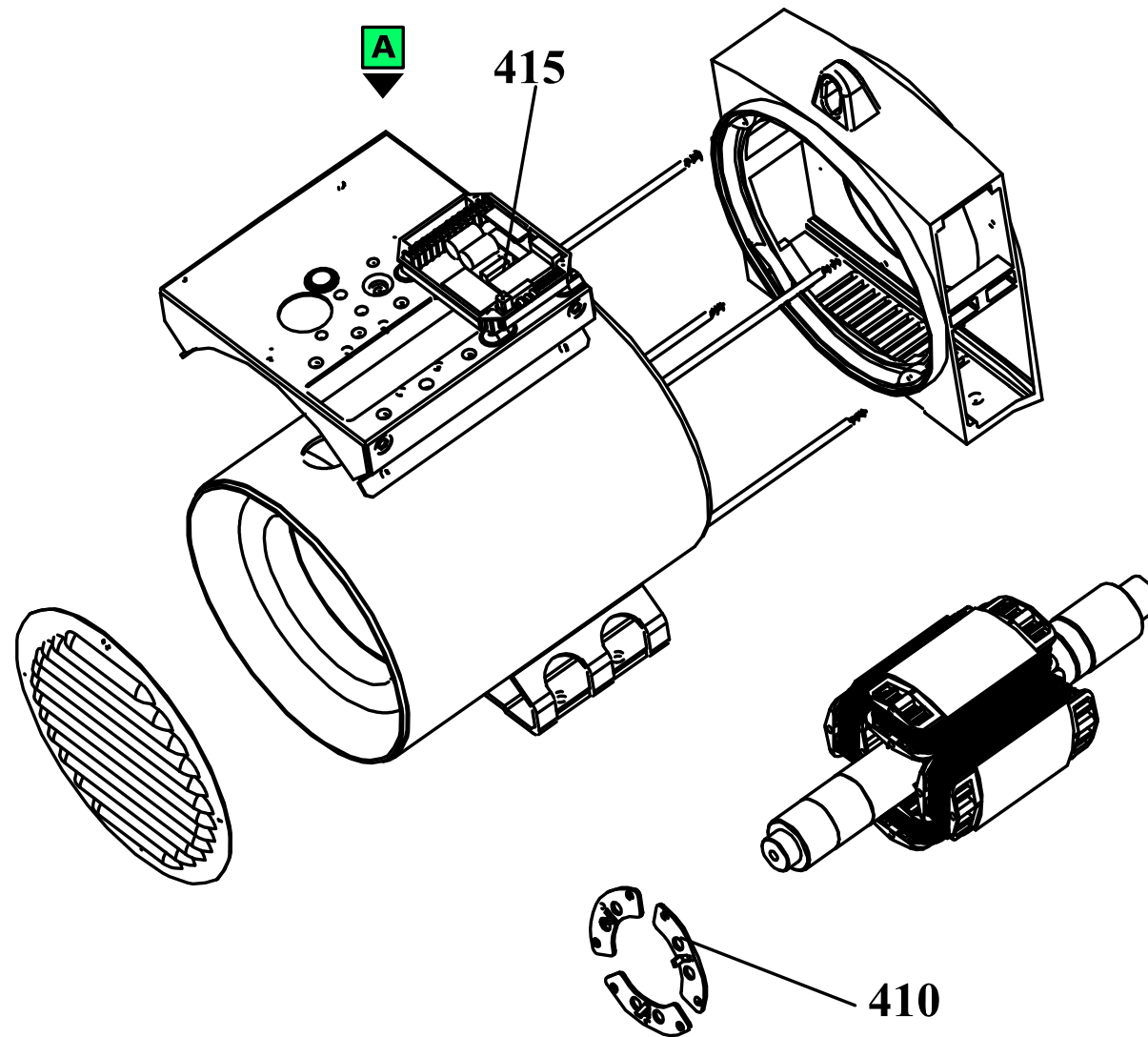


POSITION	PART NUMBER	DESCRIPTION	NOTES
100	SM5Z003954	ROOF WITH ACCESS CANOPY B-EXP (SOUNDPROOF RAL PRAMACB)	
101	SM5Z003928	PANEL LAT EXPULSION DCHO CANOPY A-B-EXP (FORRADO RAL PRAMACB)	
102	SM5Z003002	DOOR CANOPY B-CL (RAL PRAMACB)	
103	SM5Z003008	PANEL CUADRO UNI CARROCERIA A-B-C-CL (FORRADO RAL PRAMACB)	
104	SM5RP90069	ELECTRICAL PANEL DOOR SET UNI-CL (RAL PRAMACB)	
105	SM5Z002086	BLIND BACK PANEL GSL 2009 (SOUNDPROOF ROCK WOOL 40MM - RAL PRAMACB)	
106	SM5Z003011	PANEL LATERAL ASPIRACION CARROCERIA A-B-C-CL (FORRADO RAL PRAMACB)	
107	SM5Z003929	PANEL LAT EXPULSION IZQDO CANOPY A-B-EXP (FORRADO RAL PRAMACB)	
108	VM5E300008-9005B	LIF. POINT CANOPY B&C 1400Kg. PAINTED	
109	VM9140-9005B	PLETINA FIJACION PUENTE ELEVACION 70x8 GSW GSL. PINT	
110	VM1580-9005B	ALTERNATOR SUPPORT 34mm CANOPY B (PAINTED)	
111	VM5H000209-9005B	SUPPLEMENT DISC (OD=90mm H=5mm ID=18mm) (PAINTED)	
112	G052137	SILENT-BLOCK CIL. MF-65x50-M12x37-M12 70SH	
113	VM1623-9005B	ENGINE CROSSBAR GSL-GSW UNI 68L (PAINTED)	
114	SM5Z002270	SEPARATOR CONVEYER GSW30-40 YANMAR 4TNV98 UNI (INSULATED ACOUSTIC FOAM 30MM - RAL 9005B)	
115	VM5C900014-9005B	SOUNDPROOF BASEFRAME UNI CANOPY B-EXP (PAINTED RAL 9005B)	
116	G001422	SINGLE KEY IN POLYAMIDE PA6 RED RAL3020 WITH LOGO PRAMAC	
200	SM5Q000101	ASPIRATION GRILL STANDARD (PLASTIC) + STRIP SEAL	
201	GV7488	HANDLE BLOCK BRACKET FOR WATERPROOF DOOR SV70006089-SV70014015	
202	G058018	PLASTIC HANDLE BODY POLYAMIDE PA6 140x120 MM BRASS LATCH WITHOUT KEY	
203	G040037	HINGE INOX 137x85 MM HERCOR	
204	G052906	SILENT-BLOCK CONICAL 24x14 NR75 (Ref.PTC2414XH)	
205	G051508	CAP FOR CANOPY Ø 22 - REF. 16236	
206	G075128	EMERGENCY STOP D40MM CE4T-10R-11	
207	G075151	EMERGENCY PLATE D.78MM ENGLISH (ref.1SFA616915R1005)	
208	G040061	LOCK CAM 1/4 CIRCLE CHROME ZAMAK CONTROL PANEL DOOR WITHOUT KEY	
209	G040062	SOCKET FOR LOCK HANDLE WITH CAM 1/4 CIRCLE IN BLACK PLASTIC FOR CONTROL PANEL DOOR	
210	SM5Q300004	WINDOW CONTROL PANEL DOOR UNI (POLYCARBONATE)	
211	G040011	PLASTIC HINGE ZN-PA.001	
212	VM1805-9005B	PLATE FOR ROUND ROOF CAP SCREW - PAINTED	
213	SV70013982	EXTERNAL GASKET ROOF CAP D.190 GSW ITALY-SPAIN	
214	G051152	PLASTIC CAP D.185 - ROOF GSW ITALY-SPAIN	
215	G001625	LIFTING EYE 59/M27	
216	G041227	PLAIN WASHER 6592 D.27	
217	G052405	JUNTA CARGA 28X44X3	
218	G032118	STANDARD NUT 5588 M27 ZN	

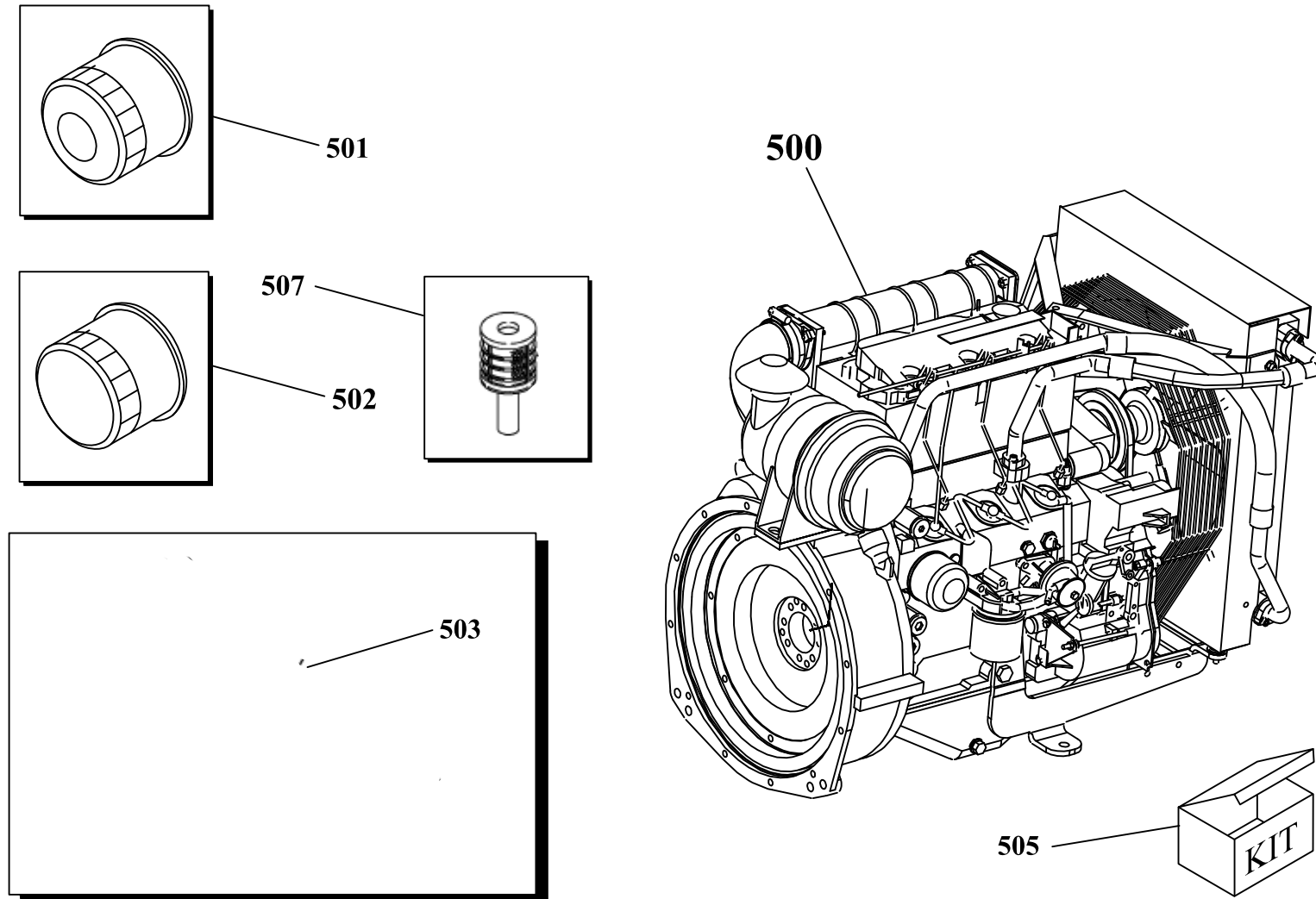
POSITION	PART NUMBER	DESCRIPTION	NOTES
219	G044501	COTTER PIN D.EXT. 3.2MM - LENGHT 63MM DIN94	
220	SM5F300102+VM2050-9005B+G080738	DESCRIPTION N/A	
221	G052224	CAP Ø113MM WHIT GASKET	
222	G080385	FUEL GAUGE H=200MM IN10/OUT8 RES. VDO. LOW LEVEL ALARM WITH VENTS	
223	G052215	RUBBER CAP D=47mm H=22 mm PVC BLACK REF.12694	
224	G089037	BATTERY 80Ah	
225	G52609	ELASTIC TENSION ROD L=340	
500	VM5G300016-9005O	MUFFLER GSL30-40-65D TL002	
501	G92905	EXHAUST FLEX TUBE D.I.60	
502	VM5G800016-9005O	CHIMENEA RIGIDA SALIDA ESCAPE CON BRIDA FIJACIÓN PARA GSW15-22 GSL30-42 E/C. PINTADA ANTICALOR NEGRO	
503	G088333	PARAPLUIE D'ECHAPPEMENT Ø60	
504	VM5G900006-9005O	EXHAUST MANIFOLD GSW45 UNI YANMAR 4TNV98T (PAINTED)	
506	VM9385-9005B	PATA IZQUIERDA SUJECCION RADIADOR PARA MOTOR 4TNV98 PINT RAL 9005B	
507	VM9386-9005B	PATA DERECHA SUJECCION RADIADOR PARA MOTOR 4TNV98 PINT RAL 9005B	
508	VM1724-9005B	ALTERNATOR BELT PROTECTION ENGINE YANMAR 4TNV98* (PAINTED)	
510	VM1707-9005B	SUPPORT RADIATOR CONVEYER GSW30-40Y (YANMAR 4TNV98*) (PAINTED)	
512	VM1084-9005B	SOPORTE FILTRO AIRE GSW45Y 4TNV98T (SERIE EPA IV) (PINTADO)	
513	SM5Q430002	TUBO FILTRO AIRE GSW45Y MOTOR YANMAR 4TNV98T-ZGPGE (EPAIV)	



POSITION	PART NUMBER	DESCRIPTION	NOTES
300	SM5P30U005	KIT UNI MCP CONTROL PANEL BOX	
301	G001412	KEY FS877 (1 UNIT)	
302	LM1755	UNI PANEL ADAPTER FROM PG36 TO PG29	
303	G070270	BLACK RACORD PG29 DN 34/29 MADE OF NYLON ACCORDING TO BS EN 50086 / UL94	
304	G077275	RELAY NAGARES RLP 52-12D 40A 14V (+ DIODE)	
305	G079758	CONNECTOR SET MALE 21 PINS PANEL	
306	G070282	BLACK HEXAGONAL LOCKNUT PG9 MADE OF NYLON	
307	G070278	BLACK RACORD PG9 DN 13/10 MADE OF NYLON ACCORDING TO BS EN 50086 / UL94	
308	G051919	REGULATION PLASTIC-PIECE FOR QUARTER TURN LOCKS	
309	G032109	STANDARD NUT 5588 65 CL8 M 8 ZN	
310	G041308	GROWER WASHER 1751 52 D8 ZN	
311	G041615	STAR WASHER DIN 6798 M 8	
312	G041208	FLAT WASHER DIN 125 M8	
313	G022013	SCREW HEX-HEAD 5739 65 8.8 M8x30 ZN	
314	VM1031-9005B	FRONTAL MCP UNI 15-63A 400V-50Hz [PINTADO]	
315	G079033	PANEL MOUNT HOUR METER (230V)	
316	G079024	VOLTMETER 500 V72x72	
317	G079065	AMMETER W/O SCALE	
318	G004800	TRIANGULAR STICKER "VOLTAGE" 55X50	
319	G076400	ENGINE PROT. BOARD MC-01	
320	G079495	STARTER BLOCK	
321	G84223	STICKER "PE" EARTH SYMBOL	
322	G079565	CARRIL DIN 35 MM SIMETRICO [REF. WURTH 0975490101]	
323	G073612	CIRCUIT BREAKER 32A 3P S203-B32 CURVE B - 6kA REF. 2CDS253001R0325	
324	G073618	CIRCUIT BREAKER 63A 3P S203-B63 CURVE B - 6Ka BB REF. 2CDS253001R0635	
325	G077734	RESIDUAL CURRENT CIRCUIT BREAKER ABB 63A 4P F204 AC-63/0,03A REF. 2CSF204001R1630	
326	G075533	SWITCH US 15 A 250V	
327	GM1607	SWITCHES SUPPORT IN PLUG KIT WITH IP PROTECTION COVERS (BENDED / WITHOUT THREAD)	
328	G071456	SOCKET STRAIGHT SCHUKO PCE 16A 2P + E 250V IP54 (REF.1050)	
329	G071480	INCLINED BASE SOCKET 16A 2P+E 6h 200-250V BLUE IP44 (REF. SCHNEIDER PKF204)	
330	G071479	INCLINED BASE SOCKET 32A 3P+N+E 6h 346-415V RED IP44 (REF. SCHNEIDER PKF221)	
331	G071473	SOCKET ANGLED 63A 3P+N+T 6h 380-415V RED IP67 (REF. SCHNEIDER 81283)	
399	SM5P33U005	CUADRO MCP (MC-01) UNI 63A 3P III CONEX. Y 50Hz 12V	



POSITION	PART NUMBER	DESCRIPTION	NOTES
400	AMX42FUT000Z	ALTERNATOR ECP32 3S/4B 42,5/115/230/400/50-60/1500/1800/12M - FORM MD35 - SAE 3 - JOINT 11"½ - MECC-ALTE	
410	G70284	ROTATING BRIDGE T30	
415	PAM00017	DIGITAL GOVERNOR DSR	



POSITION	PART NUMBER	DESCRIPTION	NOTES
500	EYW560CUD4Z	Engine Yanmar 4TNV98T-ZGPGE Water_1500/1800_Electr_SAE3-11"½_12Vdc_Stage 3A/EPA4_Ver/Sp:	
501	PEY00004	OIL FILTER	
502	PEY00040	FILTER FUEL OIL	
503	PEY00227	AIR FILTER 4TNV 98T	
505	P3KI00349	KIT FILTERS GSW50Y 4TNV98T-ZGPGE	
507	PEY00033	Filter separator	